

# 400i Peristaltic Pump.



- Easy tube change.
- Can be run continuously
- Robust design.
- Quiet running.
- Self Priming to 5 metres.
- Rollers fitted with ball bearings for long life.
- Smooth bore fittings available to minimize clogging.
- Economically priced.

The 400i series peristaltic pumps has been designed to offer the user a quiet, rugged and reliable means of dosing a wide range of liquids at up to 10 Litres per minute. The 400i series peristaltic pumps offer have excellent suction performance, even priming from dry. Peristaltic pumps offer a good level of accuracy and repeatability and as only the tube contacts the pump media, they are corrosion resistant, easy to clean and inexpensive to maintain. The 400i has a simple lift off cover to facilitate easy tube change. The 400i is available with a choice of tube size & material (see below).

400i pump fitted with 10mm I.D tube is 20ml per revolution  
400i pump fitted with 13mm I.D tube is 37ml per revolution.

#### Materials of Construction:-

Pump body – Aluminium (anodised)  
Pump backplate – Stainless Steel  
Roller assembly bracket – Aluminium (anodised)  
Rollers – Acetal – with sealed ball bearings fitted  
Roller Spindles – Stainless Steel  
Inlet/Outlet barbed connectors – Polypropylene – to suit 12.5" flexible tube – Smooth bore fitting available on request.  
Pump mounting bracket (L shaped) – Stainless Steel  
Tube – Choice of Silicone (peroxide cured) or Santoprene (Norprene A60F) – other options available on request.

#### Order information:

For example: **401i-PH-130**. Is a 400i pump head only fitted with 13mm Santoprene tubing.

1<sup>st</sup> part refer to pump/tubing

400i: Silicone tubing.

401i: Santoprene tubing.

2<sup>nd</sup> part refers to pump head only

3rd part relates to tube I.D:

100: 10mm ID x 3.2 wall

130: 13mm ID x 3.2 wall.

## Williamson Manufacturing Company Ltd

Unit 5, Lady Bee Industrial Estate, Albion Street, Southwick, West Sussex, BN42 4EP, United Kingdom.

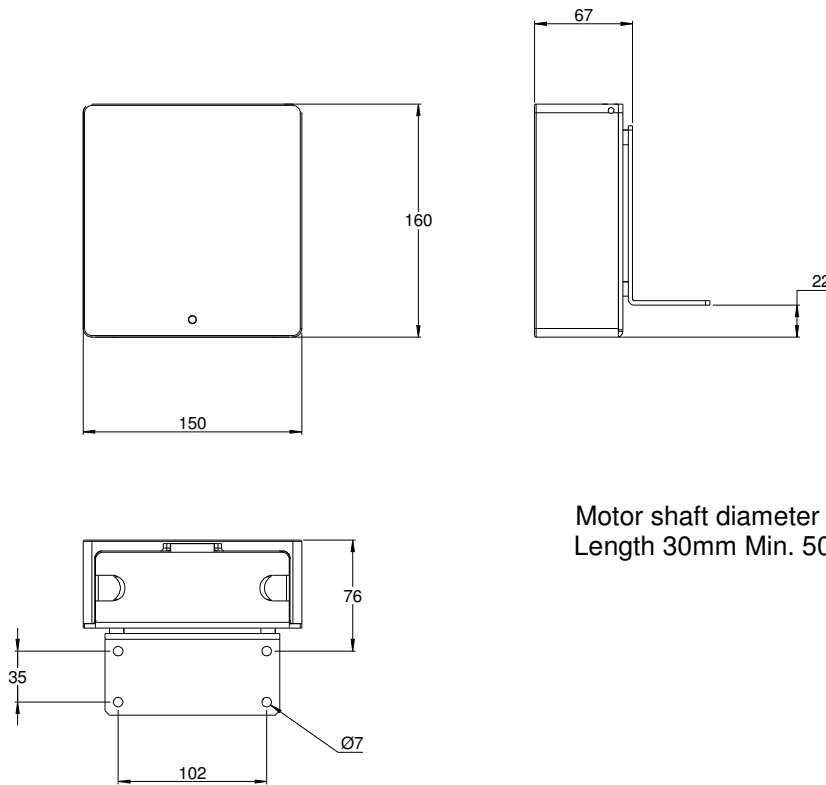
Tel +44(0)1273 857752 E Mail:- [info@wmc pumps.com](mailto:info@wmc pumps.com) Web [www.wmc pumps.com](http://www.wmc pumps.com)

### Further information:

Williamson pumps offers an optional, extra cost, larger internal diameter smooth bore stainless steel spigot available to use for the 400i series pumps to further enhance flow rates and offer an alternative spigot material where the existing material is un-suitable. The O.D of the external spigot suits 19mm ID tube. To order pumps with smooth bore stainless steel spigot simply add "SB" to the end of the pump model number, eg: **401i-PH-130-SB** which denotes a 400i series pump head fitted with 13mm I.D Santoprene tubing fitted with smooth bore spigots.

Smooth bore spigots can give a significant increase in flow in comparison to flow rates for the standard spigots.

### Dimensions



Motor shaft diameter 10mm.  
Length 30mm Min. 50mm Max.

## Williamson Manufacturing Company Ltd

Unit 5, Lady Bee Industrial Estate, Albion Street, Southwick, West Sussex, BN42 4EP, United Kingdom.

Tel +44(0)1273 857752 E Mail:- [info@wmc pumps.com](mailto:info@wmc pumps.com) Web [www.wmc pumps.com](http://www.wmc pumps.com)