

200 CM variable speed cased pump

Specification Sheet 1 (last updated May 2010)



The 200CM Series pump is available in numerous configurations allowing you to specify tubing type, tubing bore ID, RPM, voltage, and as a consequence, flow rate.

These pumps are low cost, compact and ideal for a wide range of low pressure dosing duties. The units are prewired for simplicity of installation and all use the standard 200 series mini-pump head, which can be supplied fitted with Silicone, Santoprene™, or Viton® tubing in a variety of sizes to suit virtually any application, regardless of chemical compatibility. The new twin adjustment facility allows the user to adjust both pump speed and reduce run time to give a wide adjustment of flow range from maximum down to 10%.

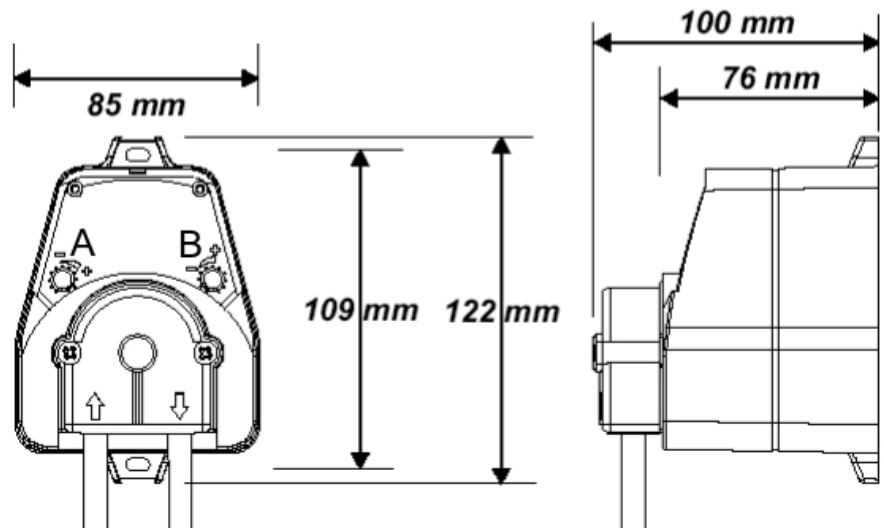
Adjuster (A) gives cycling time adjustment, ranging from continuous running at MAX setting to an intermittent 3 seconds off/1 second on when reduced to MIN setting. Adjuster (B) gives a range of flow control from maximum speed down to approximately 35% of full flow. See line drawing below.

As standard they are available in 24v (AC or DC) & 230v AC, however for large volumes they can be produced to a custom spec complete with private labelling.

The optional Installation kit comprises of 5m PVC tube (4mmID, 6mmOD), 2 x fixing plugs & screws, Suction weight, Foot filter, 2 x barbed PP tube connectors, and 4 x cable ties. There is also an option to choose (at extra cost) an injection valve where the pump is being used to dose into a pressure line (max pressure 2 bar - 25psi)

The easiest way to place an order is via our online shop at <http://www.williamson-shop.co.uk> but please contact us for any requirements not listed or to place an order over the phone.

- Splash proof ABS injection moulded case.
- Available in various colours for volume applications
- Dual speed control and cycling timer function
- Choice of supply voltage
- Uses standard 200 series mini pump heads
- Flow rates from 0.5ml → 160ml per minute
- Four tube materials and three tube sizes available.



The Williamson Manufacturing Company Ltd provides no warranty on usage of pumps. We recommend that life tests be carried out prior to use. This information is given in good faith and believed to be correct and current at time of publishing. The Williamson Manufacturing Company Ltd cannot accept responsibility for its inaccuracy or any errors or omissions contained herein. Copyright The Williamson Manufacturing Company Ltd 2008

200 CM variable speed cased pump

Specification Sheet 2 (last updated May 2010)



These units are prewired for simplicity of installation and all use the standard 200 series mini-pump head, which can be supplied fitted with Silicone, Santoprene™, or Viton® tubing in a variety of sizes to suit virtually any application regardless of chemical compatibility, as detailed below.

The easiest way to place an order is via our online shop at <http://www.williamson-shop.co.uk> but please contact us for requirements not listed or to place an order over the phone. Prices plus UK VAT & Carriage.

Model No	Series	ml/min	Roll ers	RPM	Voltage	Tube id/material	Price
200.070.024.016CM	Variable speed cased	14.0000	3	70rpm	24vDC	1.6mm silicone.	£88.56
200.070.024.030CM	Variable speed cased	40.6000	3	70rpm	24vDC	3mm silicone.	£88.56
200.070.024.050CM	Variable speed cased	82.6000	3	70rpm	24vDC	5mm silicone.	£88.56
200.140.024.016CM	Variable speed cased	28.0000	3	140rpm	24vDC	1.6mm silicone.	£88.56
200.140.024.030CM	Variable speed cased	81.2000	3	140rpm	24vDC	3mm silicone.	£88.56
200.140.024.050CM	Variable speed cased	165.2000	3	140rpm	24vDC	5mm silicone.	£88.56
200.070.230.016CM	Variable speed cased	14.0000	3	70rpm	230vAC	1.6mm silicone.	£88.56
200.070.230.030CM	Variable speed cased	40.6000	3	70rpm	230vAC	3mm silicone.	£88.56
200.070.230.050CM	Variable speed cased	82.6000	3	70rpm	230vAC	5mm silicone.	£88.56
200.140.230.016CM	Variable speed cased	28.0000	3	140rpm	230vAC	1.6mm silicone.	£88.56
200.140.230.030CM	Variable speed cased	81.2000	3	140rpm	230vAC	3mm silicone.	£88.56
200.140.230.050CM	Variable speed cased	165.2000	3	140rpm	230vAC	5mm silicone.	£88.56
201.070.024.016CM	Variable speed cased	14.0000	3	70rpm	24vDC	1.6mm Norprene®	£94.13
201.070.024.030CM	Variable speed cased	37.8000	3	70rpm	24vDC	3mm Norprene®	£94.13
201.070.024.050CM	Variable speed cased	75.6000	3	70rpm	24vDC	5mm Norprene®	£94.13
201.140.024.016CM	Variable speed cased	28.0000	3	140rpm	24vDC	1.6mm Norprene®	£94.13
201.140.024.030CM	Variable speed cased	75.6000	3	140rpm	24vDC	3mm Norprene®	£94.13
201F.140.024.050CM	Variable speed cased	151.2000	3	140rpm	24vDC	5mm Food sant	£94.13
201.070.230.016CM	Variable speed cased	14.0000	3	70rpm	230vAC	1.6mm Norprene®	£94.13
201.070.230.030CM	Variable speed cased	37.8000	3	70rpm	230vAC	3mm Norprene®	£94.13
201.070.230.050CM	Variable speed cased	75.6000	3	70rpm	230vAC	5mm Norprene®	£94.13
201.140.230.016CM	Variable speed cased	28.0000	3	140rpm	230vAC	1.6mm Norprene®	£94.13
201.140.230.030CM	Variable speed cased	75.6000	3	140rpm	230vAC	3mm Norprene®	£94.13
201F.140.230.050CM	Variable speed cased	151.2000	3	140rpm	230vAC	5mm Food sant	£94.13
202.070.024.016CM	Variable speed cased	11.2000	3	70rpm	24vDC	1.6mm Viton®	£110.84
202.070.024.030CM	Variable speed cased	31.5000	3	70rpm	24vDC	3mm Viton®	£110.84
202.070.024.050CM	Variable speed cased	63.0000	3	70rpm	24vDC	5mm Viton®	£110.84
202.140.024.016CM	Variable speed cased	22.4000	3	140rpm	24vDC	1.6mm Viton®	£110.84
202.140.024.030CM	Variable speed cased	63.0000	3	140rpm	24vDC	3mm Viton®	£110.84
202.070.230.016CM	Variable speed cased	11.2000	3	70rpm	230vAC	1.6mm Viton®	£110.84
202.070.230.030CM	Variable speed cased	31.5000	3	70rpm	230vAC	3mm Viton®	£110.84
202.070.230.050CM	Variable speed cased	63.0000	3	70rpm	230vAC	5mm Viton®	£110.84
202.140.230.016CM	Variable speed cased	22.4000	3	140rpm	230vAC	1.6mm Viton®	£110.84
202.140.230.030CM	Variable speed cased	63.0000	3	140rpm	230vAC	3mm Viton®	£110.84
200CM-Inst-kit	Std installation kit	n/a	n/a	n/a	n/a	4mmID n/a	£19.63
ETINJVALVE-2144009	Injection Valve	n/a	n/a	n/a	n/a	4mmID Viton®	£4.52

The Williamson Manufacturing Company Ltd provides no warranty on usage of pumps. We recommend that life tests be carried out prior to use. This information is given in good faith and believed to be correct and current at time of publishing. The Williamson Manufacturing Company Ltd cannot accept responsibility for its inaccuracy or any errors or omissions contained herein. Copyright The Williamson Manufacturing Company Ltd 2008