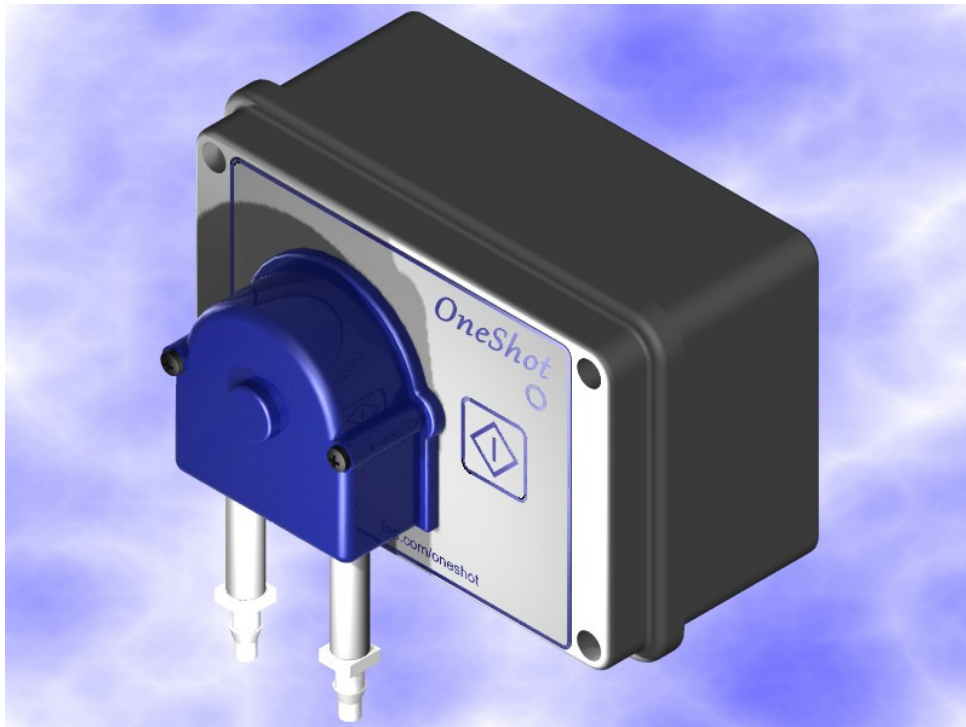


OneShot Low cost Dose Dispensing / Filling

Specification Sheet 1 (last updated June 2011.)



- Single dose dispense on operation of membrane button.
- Easy dose volume setting.
- Standard 200 series mini peristaltic pump head.
- Various tube materials & sizes.
- Fast & slow speed option.
- Flow rates up to 165 ml/min.
- Supplied with 24v DC Plug top power supply complete with UK, EU & US AC connection heads.
- AC mains supply 90-264v.
- Wall mounting .
- Optional stainless steel bench stand.
- Optional install kit.

Operating instructions.

To prime tube press and hold start button until led flashes, press and hold start again and led flashes slower, press and hold again led flashes fast. Press button (short press) pump will run, press button to stop pump when complete.

To set dose/filling volume press and hold start button until led flashes, press and hold again led flashes slower. The next start button press (short press) will start pump. Using container or measuring cylinder collect pump output, once desired amount is achieved press button again which will stop pump and commit setting to memory.

Unit can be re-programmed as often as required and will save the last setting entered even after power is removed from the unit.

To fill or dose press start button once, pump will then discharge volume as set.

Maximum single dose volume is flow rate (ml) x 275.

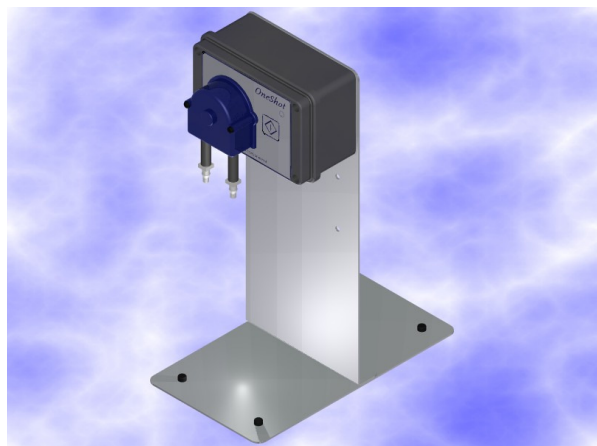
Pump head supplied as standard with 4mm tube connectors.

The Williamson Manufacturing Company Ltd provides no warranty on usage of pumps. We recommend that life tests be carried out prior to use. This information is given in good faith and believed to be correct and current at time of publishing. The Williamson Manufacturing Company Ltd cannot accept responsibility for its inaccuracy or any errors or omissions contained herein. Copyright The Williamson Manufacturing Company Ltd 2008

OneShot Low cost Dose Dispensing / Filling

Specification Sheet 2 (last updated June 2011)

Optional Bench stand.



Stand supplied un-assembled.

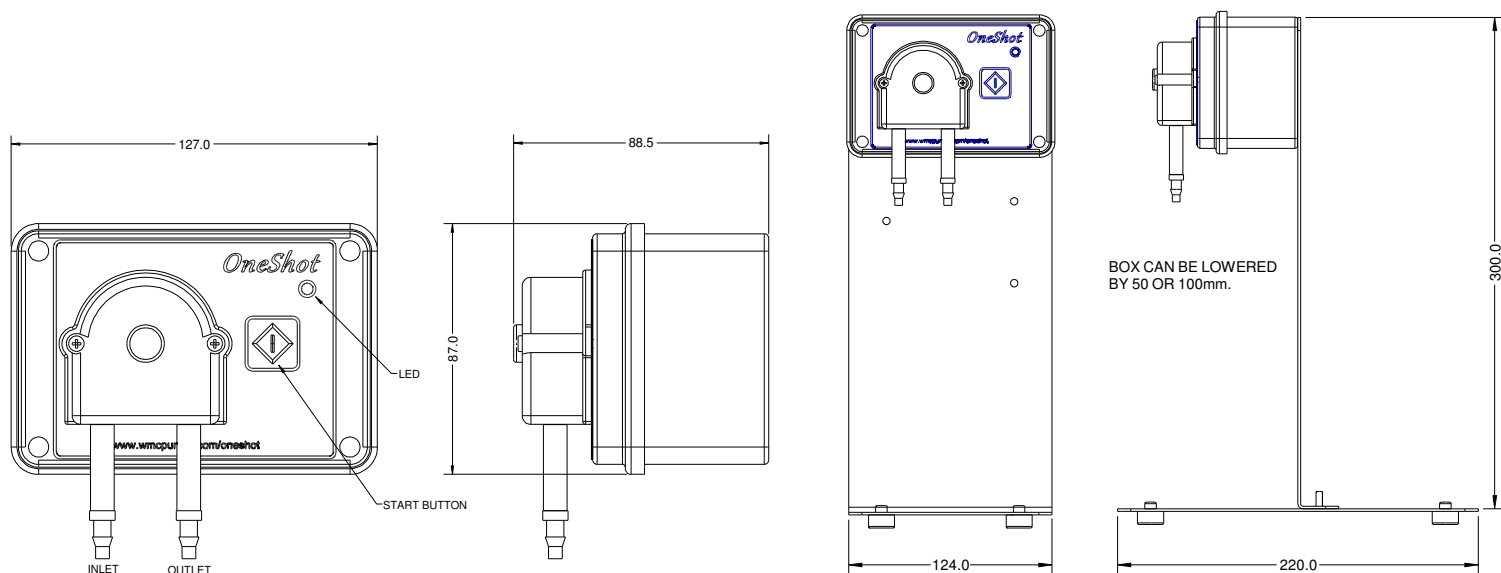
To assemble fit upright to base using nuts & washers supplied. Remove front of OneShot box and screw through rear of box and upright using screws, nuts and washers supplied. Height of box can be set to 1 of 3 positions.

Fit feet supplied into base.

If screwing to bench omit feet.

Optional Install kit.

Comprises: 6M of 4mm I.D pvc suction/discharge tube, Tube weight, Foot filter, One way valve and 4 cable ties.



The Williamson Manufacturing Company Ltd provides no warranty on usage of pumps. We recommend that life tests be carried out prior to use. This information is given in good faith and believed to be correct and current at time of publishing. The Williamson Manufacturing Company Ltd cannot accept responsibility for its inaccuracy or any errors or omissions contained herein. Copyright The Williamson Manufacturing Company Ltd 2008

OneShot Low cost Dose Dispensing / Filling

Specification Sheet 3 (last updated June 2011)

These units come as standard with plug top power supply with 1.8m jack lead and all use the standard 200 series mini-pump head, which can be supplied fitted with Silicone, Santoprene™, or Viton® tubing in a variety of sizes to suit virtually any application regardless of chemical compatibility, as detailed below. The easiest way to place an order is via our online shop at <http://www.williamson-shop.co.uk> but please contact us for requirements not listed or to place an order over the phone.

MODEL NUMBER.	FLOW ml/min.	RPM.	TUBE I.D	TUBE MATERIAL.
OS.200.035.008	2	35	0.8mm	Silicone
OS.200.035.016	7	35	1.6mm	Silicone
OS.200.035.030	20	35	3.0mm	Silicone
OS.200.035.050	40	35	5.0mm	Silicone
OS.200.140.016	28	140	1.6mm	Silicone
OS.200.140.030	80	140	3.0mm	Silicone
OS.200.140.050	165	140	5.0mm	Silicone
OS.201.035.008	2	35	0.8mm	Norprene®A60F
OS.201.035.016	7	35	1.6mm	Norprene®A60F
OS.201.035.030	19	35	3.0mm	Norprene®A60F
OS.201.035.050	38	35	5.0mm	Norprene®A60F
OS.201.140.016	28	140	1.6mm	Norprene®A60F
OS.201.140.030	76	140	3.0mm	Norprene®A60F
OS.201.140.050	150	140	5.0mm	Norprene®A60F
OS.202.035.008	2	35	0.8mm	Viton®
OS.202.035.016	6	35	1.6mm	Viton®
OS.202.035.030	16	35	3.0mm	Viton®
OS.202.035.050	32	35	5.0mm	Viton®
OS.202.140.016	22	140	1.6mm	Viton®
OS.202.140.030	63	140	3.0mm	Viton®

OPTIONS	MODEL No.
Bench stand	OS.BSTAND
Installation kit	OS.INST.KIT

The Williamson Manufacturing Company Ltd provides no warranty on usage of pumps. We recommend that life tests be carried out prior to use. This information is given in good faith and believed to be correct and current at time of publishing. The Williamson Manufacturing Company Ltd cannot accept responsibility for its inaccuracy or any errors or omissions contained herein. Copyright The Williamson Manufacturing Company Ltd 2008