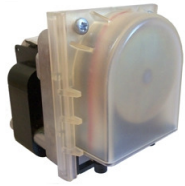


## 300 series

Specification Sheet 1 (last updated Jul 2011)



The 300 series range of peristaltic pumps has been designed to offer the OEM a low cost means of dosing a wide range of liquids at higher volumes (50-160ml/min) than the mini & micro pumps. As with all peristaltic pumps they have excellent suction performance, are self priming up to 5 metres from dry and capable of pumping up to 10 m head pressure. Peristaltic pumps offer a good level of accuracy and repeatability and as only the tube contacts the pumped media, they are corrosion resistant, easy to clean, extremely reliable and inexpensive to maintain.

Additionally the 300 series of pumps offer extremely long tube life because of their low friction needle bearing rollers and unique tube cantering roller cage. Coupled to this the motor gearboxes are built with ball bearings throughout which also offers exceptional longevity. A special chemical resistant version (PP after part no) is also available that uses polypropylene tube fittings. The easiest way to place an order or check prices is via our online shop at <http://www.williamson-shop.co.uk> but please contact us for any requirements not listed.

Model No	Series	ml/min	RPM	Voltage	Tube id	Tube Material
300.PH.050	300 series pump head only	n/a	n/a	n/a	5 mm	silicone
301.PH.050	300 series pump head only	n/a	n/a	n/a	5 mm	santoprene
302.PH.050	300 series pump head only	n/a	n/a	n/a	5 mm	viton
300.PH.050.PP	300 series pump head only	n/a	n/a	n/a	5 mm	silicone
301.PH.050.PP	300 series pump head only	n/a	n/a	n/a	5 mm	santoprene
302.PH.050.PP	300 series pump head only	n/a	n/a	n/a	5 mm	viton
300.050.230.050	300 series pump	100	50	230vAC	5 mm	silicone
300.050.115.050	300 series pump	100	50	115vAC	5 mm	silicone
300.080.230.050	300 series pump	160	80	230vAC	5 mm	silicone
300.080.115.050	300 series pump	160	80	115vAC	5 mm	silicone
301.050.230.050	300 series pump	100	50	230vAC	5 mm	santoprene
301.050.115.050	300 series pump	100	50	115vAC	5 mm	santoprene
301.080.230.050	300 series pump	160	80	230vAC	5 mm	santoprene
301.080.115.050	300 series pump	160	80	115vAC	5 mm	santoprene
301.050.230.050.PP	300 series pump	100	50	230vAC	5 mm	santoprene
301.050.115.050.PP	300 series pump	100	50	115vAC	5 mm	santoprene
301.080.230.050.PP	300 series pump	160	80	230vAC	5 mm	santoprene
301.080.115.050.PP	300 series pump	160	80	115vAC	5 mm	santoprene
302.050.230.050	300 series pump	100	50	230vAC	5 mm	viton
302.050.115.050	300 series pump	100	50	115vAC	5 mm	viton
302.080.230.050	300 series pump	160	80	230vAC	5 mm	viton
302.080.115.050	300 series pump	160	80	115vAC	5 mm	viton
302.050.230.050.PP	300 series pump	100	50	230vAC	5 mm	viton
302.050.115.050.PP	300 series pump	100	50	115vAC	5 mm	viton
302.080.230.050.PP	300 series pump	160	80	230vAC	5 mm	viton
302.080.115.050.PP	300 series pump	160	80	115vAC	5 mm	viton

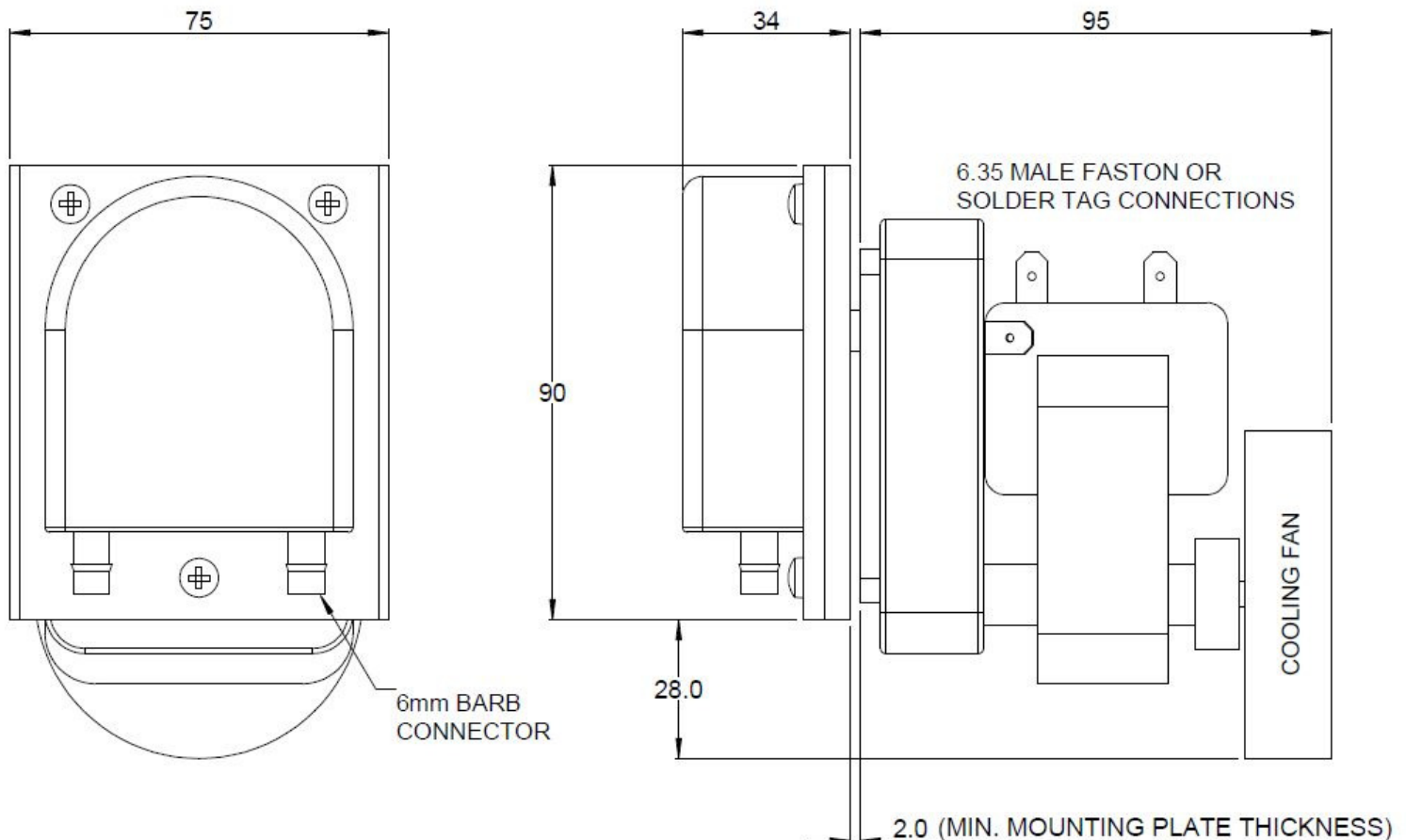
The flow rates shown on this website were calculated either by measuring the flow rate on the stated voltage with a one metre suction lift and zero discharge head pumping ordinary tap water with an ambient temperature of 20C or extrapolated from those figures by factoring for different gearshift rotation speed. The flow rates given should only be used as a guide and customers should run their own tests on their own application. We reserve the right to make changes to the pump which may result in variations to these figures and reserve the right to do this without notice. Customers should also check regularly to see if the published figures have changed in case it affects their system. The Williamson Manufacturing Company Ltd provides no warranty on usage of pumps. We recommend that life tests be carried out prior to use. This information is given in good faith and believed to be correct and current at time of publishing. The Williamson Manufacturing Company Ltd cannot accept responsibility for its inaccuracy or any errors or omissions contained herein. Copyright The Williamson Manufacturing Company Ltd 2011.

## 300 series

Specification Sheet 2 (last updated Jul 2011)

### 300 series tubing

300.TUBE.050/1M	5mm bore silicone tubing per metre.
301.TUBE.050/1M	5mm bore Santoprene tubing per metre.
302.TUBE.050/1M	5mm bore Viton tubing per metre.
300.TUBE.050.ASSY	5mm bore silicone tube assembly.
301.TUBE.050.ASSY	5mm bore Santoprene tube assembly.
302.TUBE.050.ASSY	5mm bore Viton tube assembly.
300.TUBE.050.PP.ASSY	5mm bore silicone tube assembly, Polypropylene connectors.
301.TUBE.050.PP.ASSY	5mm bore Santoprene tube assembly, Polypropylene connectors.
302.TUBE.050.PP.ASSY	5mm bore Viton tube assembly, Polypropylene connectors



The flow rates shown on this website were calculated either by measuring the flow rate on the stated voltage with a one metre suction lift and zero discharge head pumping ordinary tap water with an ambient temperature of 20C or extrapolated from those figures by factoring for different gearshift rotation speed. The flow rates given should only be used as a guide and customers should run their own tests on their own application. We reserve the right to make changes to the pump which may result in variations to these figures and reserve the right to do this without notice. Customers should also check regularly to see if the published figures have changed in case it affects their system. The Williamson Manufacturing Company Ltd provides no warranty on usage of pumps. We recommend that life tests be carried out prior to use. This information is given in good faith and believed to be correct and current at time of publishing. The Williamson Manufacturing Company Ltd cannot accept responsibility for its inaccuracy or any errors or omissions contained herein. Copyright The Williamson Manufacturing Company Ltd 2011.