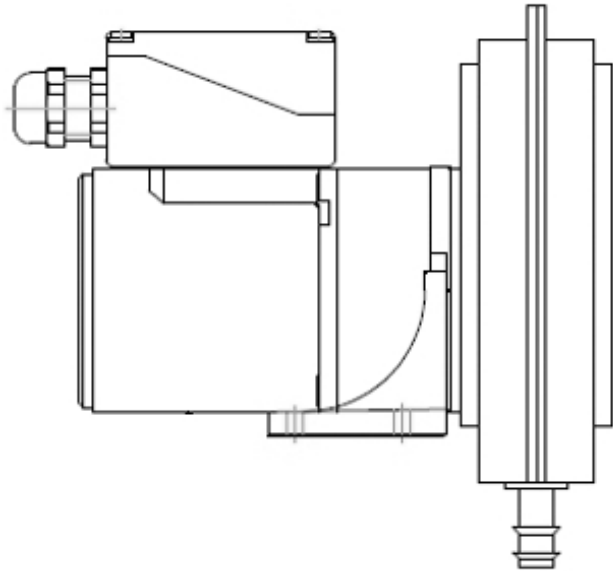


400 series Induction Motor

Specification Sheet 1 (last updated Jun 2011)



The 400 series industrial range of peristaltic pumps has been designed to offer a low cost, robust method of dosing a wide range of liquids and offers flow rates of 0.9 – 5 litres per minute, depending on the choice of tube material & size and gearmotor RPM.

As with all peristaltic pumps they offer excellent suction performance with the ability to self prime up to 5 metres, even when priming from dry. Peristaltic pumps offer a good level of accuracy and repeatability and as only the tube contacts the pumped media, they are corrosion resistant, extremely reliable, easy to clean and inexpensive to maintain.

The 400 series is suitable for continuous duty industrial pumping applications we supply with either 115v or 230v single-phase for fixed output or 200v/400v 3-phase (special order) induction motors and optional speed controllers for variable speed outputs. The induction motors are available in 50, 100 and 150 rpm. Please note the 150 RPM Norprene and Viton versions of these pumps use a larger motor as detailed in our drawings.

Rollers rotate on long life industrial Ball Bearings and the rotor cage is manufactured from stainless steel.

There is also an option to choose a stainless steel Smooth Bore fitting (which fits 19mm ID flexible run tube) to maximize flow and to improve the performance when pumping viscous fluids or fluids with suspended solids. To upgrade (at extra cost) to the Smooth Bore fitting simply add the suffix 'SB' to the model number of the pump.

This range provides a strong & robust Peristaltic Pump, offering exceptional performance and can be used for a wide range of liquid dosing/transfer applications.

The easiest way to place an order or check prices is via our online shop at <http://www.williamson-shop.co.uk> but please contact us for any requirements not listed or to place an order over the phone.

Please note the 10mm tube delivers 18ml per RPM and 13mm tube delivers 33ml per RPM. To calculate the flow multiply the RPM of gear motor by the displacement per RPM.

400 series Induction Motor

Specification Sheet 2 (last updated Jun 2011)

50 rpm models:

Model No	Series	Speed	RPM	Voltage	Tube id/material
400IND.F.050.230.100	400 series pump	fixed	50rpm	230vAC	10mm silicone
400IND.F.050.230.130	400 series pump	fixed	50rpm	230vAC	13mm silicone
400IND.F.050.115.100	400 series pump	fixed	50rpm	115vAC	10mm silicone
400IND.F.050.115.130	400 series pump	fixed	50rpm	115vAC	13mm silicone
400IND.V.050.230.100	400 series pump	variable	50rpm	230vAC	10mm silicone
400IND.V.050.230.130	400 series pump	variable	50rpm	230vAC	13mm silicone
400IND.V.050.115.100	400 series pump	variable	50rpm	115vAC	10mm silicone
400IND.V.050.115.130	400 series pump	variable	50rpm	115vAC	13mm silicone
401IND.F.050.230.100	400 series pump	fixed	50rpm	230vAC	10mm Santoprene®
401IND.F.050.230.130	400 series pump	fixed	50rpm	230vAC	13mm Santoprene®
401IND.F.050.115.100	400 series pump	fixed	50rpm	115vAC	10mm Santoprene®
401IND.F.050.115.130	400 series pump	fixed	50rpm	115vAC	13mm Santoprene®
401IND.V.050.230.100	400 series pump	variable	50rpm	230vAC	10mm Santoprene®
401IND.V.050.230.130	400 series pump	variable	50rpm	230vAC	13mm Santoprene®
401IND.V.050.115.100	400 series pump	variable	50rpm	115vAC	10mm Santoprene®
401IND.V.050.115.130	400 series pump	variable	50rpm	115vAC	13mm Santoprene®
402IND.F.050.230.100	400 series pump	fixed	50rpm	230vAC	10mm Viton®
402IND.F.050.230.130	400 series pump	fixed	50rpm	230vAC	13mm Viton®
402IND.F.050.115.100	400 series pump	fixed	50rpm	115vAC	10mm Viton®
402IND.F.050.115.130	400 series pump	fixed	50rpm	115vAC	13mm Viton®
402IND.V.050.230.100	400 series pump	variable	50rpm	230vAC	10mm Viton®
402IND.V.050.230.130	400 series pump	variable	50rpm	230vAC	13mm Viton®
402IND.V.050.115.100	400 series pump	variable	50rpm	115vAC	10mm Viton®
402IND.V.050.115.130	400 series pump	variable	50rpm	115vAC	13mm Viton®

Please note: Items in Red may be subject to lead time & MOQ

The Williamson Manufacturing Company Ltd provides no warranty on usage of pumps. We recommend that life tests be carried out prior to use. This information is given in good faith and believed to be correct and current at time of publishing. The Williamson Manufacturing Company Ltd cannot accept responsibility for its inaccuracy or any errors or omissions contained herein. Copyright The Williamson Manufacturing Company Ltd 2008

400 series Induction Motor

Specification Sheet 3 (last updated Jun 2011)

100 rpm models:

Model No	Series	Speed	RPM	Voltage	Tube id/material
400IND.F.100.230.100	400 series pump	fixed	100rpm	230vAC	10mm silicone
400IND.F.100.230.130	400 series pump	fixed	100rpm	230vAC	13mm silicone
400IND.F.100.115.100	400 series pump	fixed	100rpm	115vAC	10mm silicone
400IND.F.100.115.130	400 series pump	fixed	100rpm	115vAC	13mm silicone
400IND.V.100.230.100	400 series pump	variable	100rpm	230vAC	10mm silicone
400IND.V.100.230.130	400 series pump	variable	100rpm	230vAC	13mm silicone
400IND.V.100.115.100	400 series pump	variable	100rpm	115vAC	10mm silicone
400IND.V.100.115.130	400 series pump	variable	100rpm	115vAC	13mm silicone
401IND.F.100.230.100	400 series pump	fixed	100rpm	230vAC	10mm Santoprene®
401IND.F.100.230.130	400 series pump	fixed	100rpm	230vAC	13mm Santoprene®
401IND.F.100.115.100	400 series pump	fixed	100rpm	115vAC	10mm Santoprene®
401IND.F.100.115.130	400 series pump	fixed	100rpm	115vAC	13mm Santoprene®
401IND.V.100.230.100	400 series pump	variable	100rpm	230vAC	10mm Santoprene®
401IND.V.100.230.130	400 series pump	variable	100rpm	230vAC	13mm Santoprene®
401IND.V.100.115.100	400 series pump	variable	100rpm	115vAC	10mm Santoprene®
401IND.V.100.115.130	400 series pump	variable	100rpm	115vAC	13mm Santoprene®
402IND.F.100.230.100	400 series pump	fixed	100rpm	230vAC	10mm Viton®
402IND.F.100.230.130	400 series pump	fixed	100rpm	230vAC	13mm Viton®
402IND.F.100.115.100	400 series pump	fixed	100rpm	115vAC	10mm Viton®
402IND.F.100.115.130	400 series pump	fixed	100rpm	115vAC	13mm Viton®
402IND.V.100.230.100	400 series pump	variable	100rpm	230vAC	10mm Viton®
402IND.V.100.230.130	400 series pump	variable	100rpm	230vAC	13mm Viton®
402IND.V.100.115.100	400 series pump	variable	100rpm	115vAC	10mm Viton®
402IND.V.100.115.130	400 series pump	variable	100rpm	115vAC	13mm Viton®

Please note: Items in Red may be subject to lead time & MOQ

The Williamson Manufacturing Company Ltd provides no warranty on usage of pumps. We recommend that life tests be carried out prior to use. This information is given in good faith and believed to be correct and current at time of publishing. The Williamson Manufacturing Company Ltd cannot accept responsibility for its inaccuracy or any errors or omissions contained herein. Copyright The Williamson Manufacturing Company Ltd 2008

400 series Induction Motor

Specification Sheet 4 (last updated Jun 2011)

150 rpm models:

Model No	Series	Speed	RPM	Voltage	Tube id/material
400IND.F.150.230.100	400 series pump	fixed	150rpm	230vAC	10mm silicone
400IND.F.150.230.130	400 series pump	fixed	150rpm	230vAC	13mm silicone
400IND.F.150.115.100	400 series pump	fixed	150rpm	115vAC	10mm silicone
400IND.F.150.115.130	400 series pump	fixed	150rpm	115vAC	13mm silicone
400IND.V.150.230.100	400 series pump	variable	150rpm	230vAC	10mm silicone
400IND.V.150.230.130	400 series pump	variable	150rpm	230vAC	13mm silicone
400IND.V.150.115.100	400 series pump	variable	150rpm	115vAC	10mm silicone
400IND.V.150.115.130	400 series pump	variable	150rpm	115vAC	13mm silicone
401IND.F.150.230.100 *	400 series pump	fixed	150rpm	230vAC	10mm Santoprene®
401IND.F.150.230.130 *	400 series pump	fixed	150rpm	230vAC	13mm Santoprene®
401IND.F.150.115.100 *	400 series pump	fixed	150rpm	115vAC	10mm Santoprene®
401IND.F.150.115.130 *	400 series pump	fixed	150rpm	115vAC	13mm Santoprene®
401IND.V.150.230.100 *	400 series pump	variable	150rpm	230vAC	10mm Santoprene®
401IND.V.150.230.130 *	400 series pump	variable	150rpm	230vAC	13mm Santoprene®
401IND.V.150.115.100 *	400 series pump	variable	150rpm	115vAC	10mm Santoprene®
401IND.V.150.115.130 *	400 series pump	variable	150rpm	115vAC	13mm Santoprene®
402IND.F.150.230.100 *	400 series pump	fixed	150rpm	230vAC	10mm Viton®
402IND.F.150.230.130 *	400 series pump	fixed	150rpm	230vAC	13mm Viton®
402IND.F.150.115.100 *	400 series pump	fixed	150rpm	115vAC	10mm Viton®
402IND.F.150.115.130 *	400 series pump	fixed	150rpm	115vAC	13mm Viton®
402IND.V.150.230.100 *	400 series pump	variable	150rpm	230vAC	10mm Viton®
402IND.V.150.230.130 *	400 series pump	variable	150rpm	230vAC	13mm Viton®
402IND.V.150.115.100 *	400 series pump	variable	150rpm	115vAC	10mm Viton®
402IND.V.150.115.130 *	400 series pump	variable	150rpm	115vAC	13mm Viton®

Please note: Items in Red may be subject to lead time & MOQ

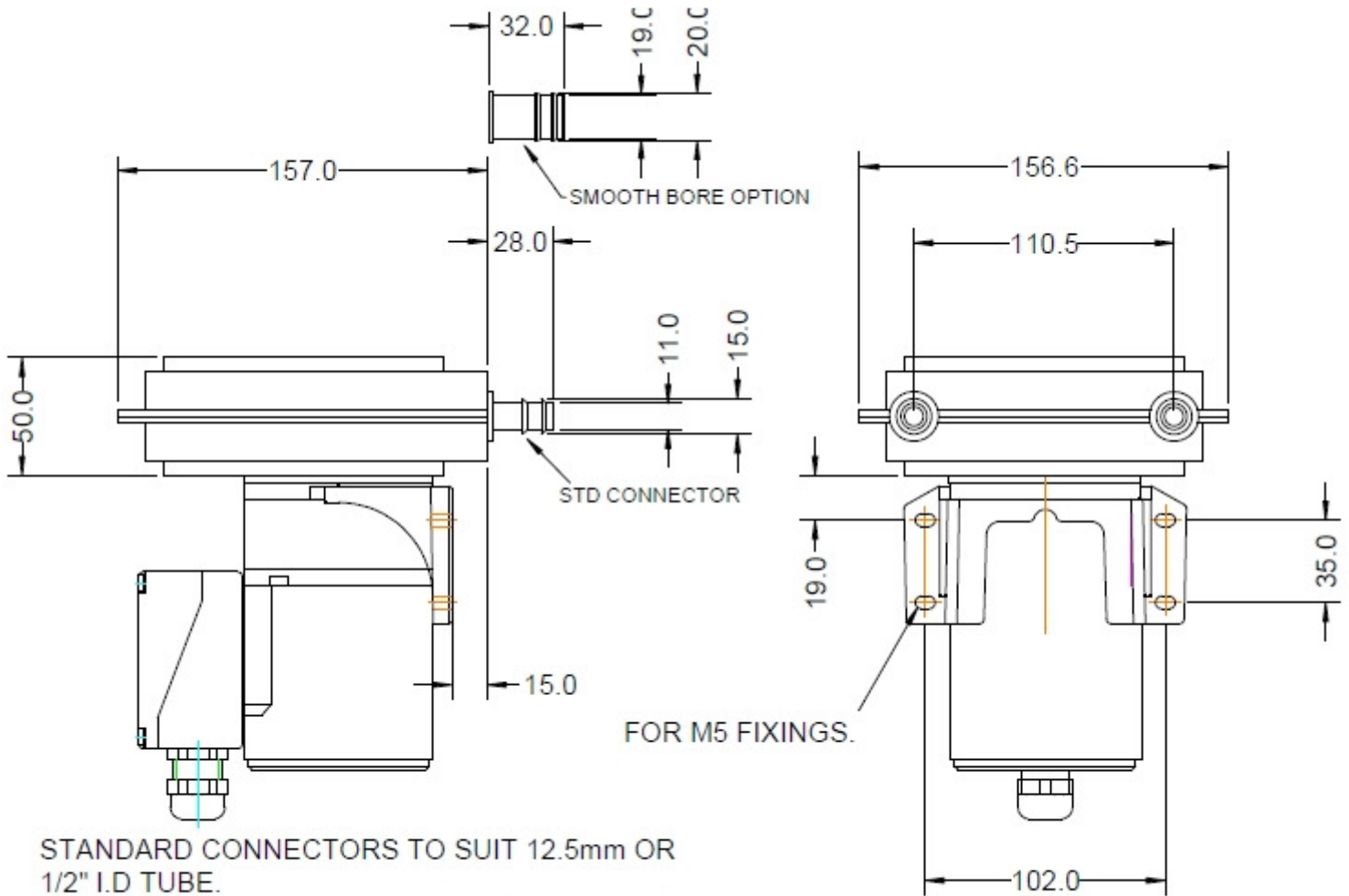
Please note 150 rpm pumps marked with a star * use a larger motor...please refer to the appropriate drawing for details

The Williamson Manufacturing Company Ltd provides no warranty on usage of pumps. We recommend that life tests be carried out prior to use. This information is given in good faith and believed to be correct and current at time of publishing. The Williamson Manufacturing Company Ltd cannot accept responsibility for its inaccuracy or any errors or omissions contained herein. Copyright The Williamson Manufacturing Company Ltd 2008

400 series Induction Motor

Specification Sheet 5 (last updated Jun 2011)

Please note: This drawing applies to all pumps EXCEPT the 150 rpm Norprene and Viton versions.



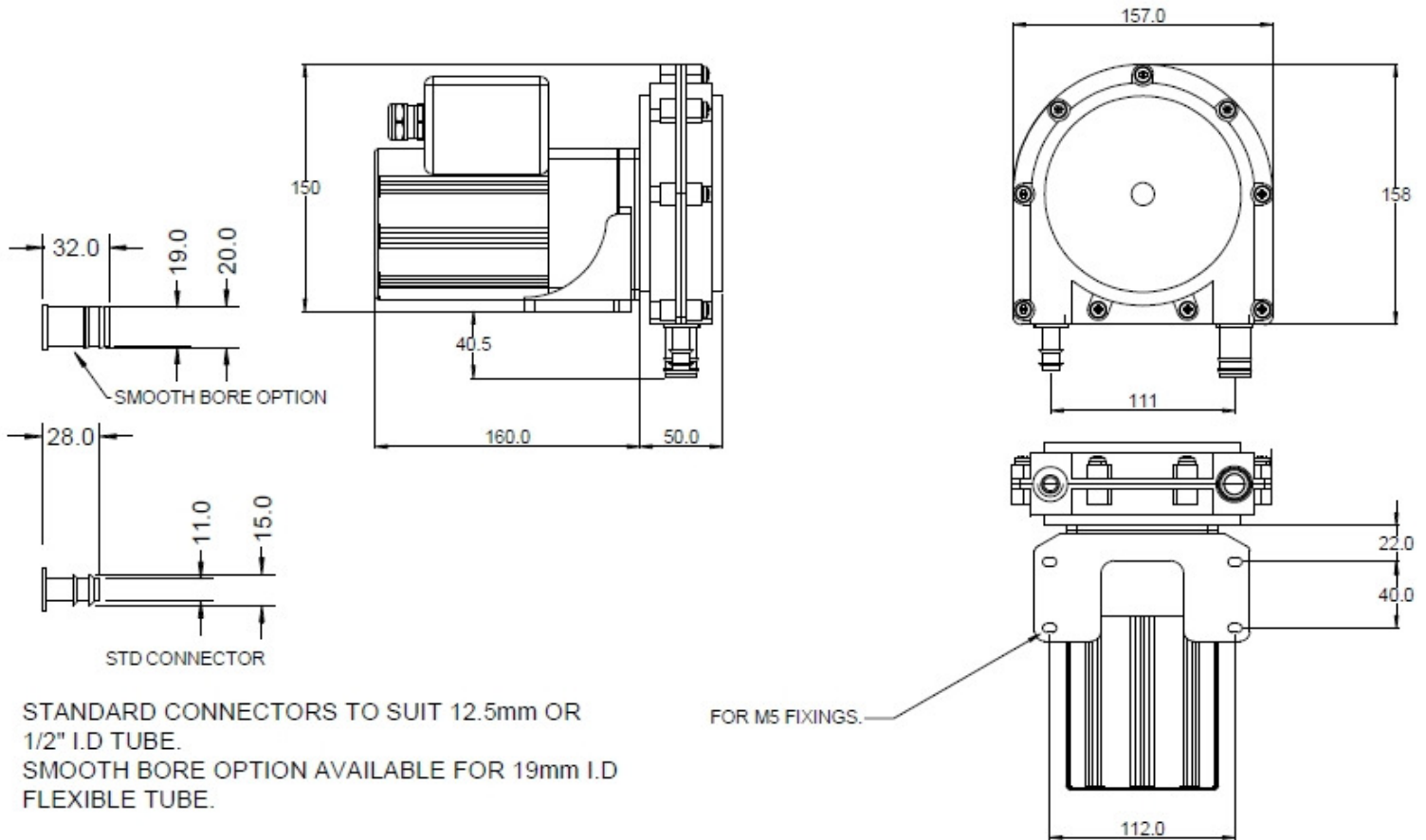
STANDARD CONNECTORS TO SUIT 12.5mm OR
1/2" I.D TUBE.
SMOOTH BORE OPTION AVAILABLE FOR 19mm I.D
FLEXIBLE TUBE.

The Williamson Manufacturing Company Ltd provides no warranty on usage of pumps. We recommend that life tests be carried out prior to use. This information is given in good faith and believed to be correct and current at time of publishing. The Williamson Manufacturing Company Ltd cannot accept responsibility for its inaccuracy or any errors or omissions contained herein. Copyright The Williamson Manufacturing Company Ltd 2008

400 series Induction Motor

Specification Sheet 6 (last updated Jun 2011)

Please note: This drawing ONLY applies to the 150 rpm Norprene and Viton pumps



STANDARD CONNECTORS TO SUIT 12.5mm OR 1/2" I.D TUBE.
SMOOTH BORE OPTION AVAILABLE FOR 19mm I.D FLEXIBLE TUBE.

FOR M5 FIXINGS.

The Williamson Manufacturing Company Ltd provides no warranty on usage of pumps. We recommend that life tests be carried out prior to use. This information is given in good faith and believed to be correct and current at time of publishing. The Williamson Manufacturing Company Ltd cannot accept responsibility for its inaccuracy or any errors or omissions contained herein. Copyright The Williamson Manufacturing Company Ltd 2008