

# LDS2.1-230 programmable dosing pumps

## Specification Sheet and Drawing



Our LDS2.1-230 range of versatile programmable peristaltic pumps, are designed for wall or panel mounting. They are self-priming up to 5 metres, with a nominal flow of 36 ml/min and fitted with Silicone tubing as standard. All pumps are installed in a high quality plastic box complete with fast prime button.

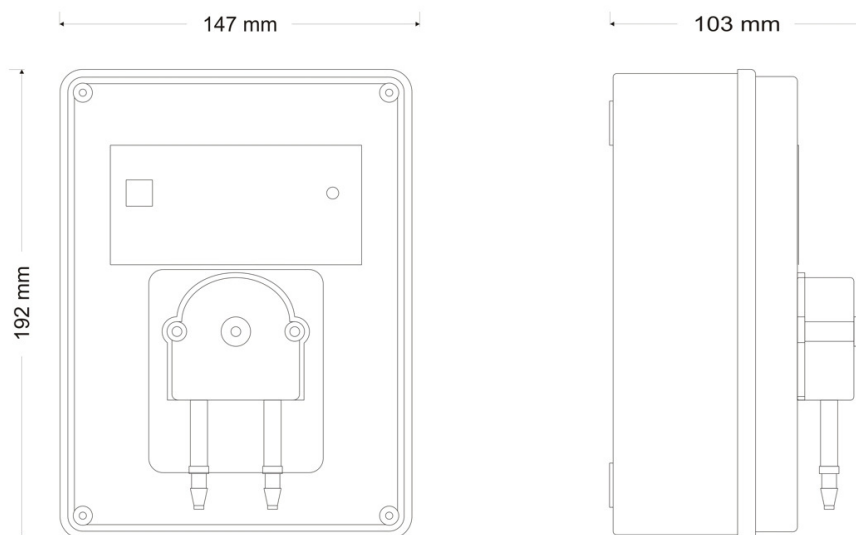
The unit allows up to four doses per day (24 hour model) or 6 does per day (7 day model) and dose times are set on the real-time clock for durations from 1 minute → 23 hours 59 minutes. All models are supplied serial numbered, with polypropylene barbed tube connectors and come with appropriate installation kit & operating instructions.

Available in four variations:

LDS2.1-230-UK	230V UK Plug model 24hr (max 4 doses per day)
LDS2.1-230-EURO	230V Euro plug model 24hr (max 4 doses per day)
LDS2.1-230-7-UK	230V UK Plug model 7day (max 6 doses per day)
LDS2.1-230-7-EURO	230V Euro plug model 7day (max 6 doses per day)

The easiest way to place an order or check prices is via our online shop at <http://www.williamson-shop.co.uk> but please contact us for any requirements not listed or to place an order over the phone.

- Extremely durable and reliable.
- 230v AC, 30 rpm synchronous motor for virtually silent operation.
- Flow rate 36 ml/min using 5 mm id silicone tube.
- Simple to install and program.
- Self priming up to 5 metres.
- Can run dry without problem.
- Shipping weight: 1.4 Kg.
- CE compliant
- Manufactured in the UK.



The Williamson Manufacturing Company Ltd provides no warranty on usage of pumps. We recommend that life tests be carried out prior to use. This information is given in good faith and believed to be correct and current at time of publishing. The Williamson Manufacturing Company Ltd cannot accept responsibility for its inaccuracy or any errors or omissions contained herein. Copyright The Williamson Manufacturing Company Ltd 2008