

LDS3-B4/24 programmable dosing pump

Specification Sheet 1 (last updated Aug 2011)



More than 9,000 of our original LDS and LDS2 units are in use worldwide giving dependable service. The unit has been used for dosing drains and grease traps, urinals, and in film processors, and many other dosing applications requiring reliability and ease of use. Due to the range of tubing materials available the unit can be used in a great variety of applications.

The new battery operated LDS3-B4/24 programmable dosing pump is an evolution of our highly successful LDS2 range of dosing pumps. Even more accurate dosing control is now possible using digital programming to offer the user dose control in 1ml increments from 0 - 9999ml dose size per day, with up to four doses per 24 hour period.

The LDS3-B4/24 is identical in size to the LDS2-DD-230 and is supplied with an installation kit containing: 5 metres PVC flexible tubing, 4 x wood screw & wall plugs, 4 x M4 x 16 pan head screws & nut, 1 x tube stiffener & grommet, 1 x operator guide with set up instructions Battery pack.

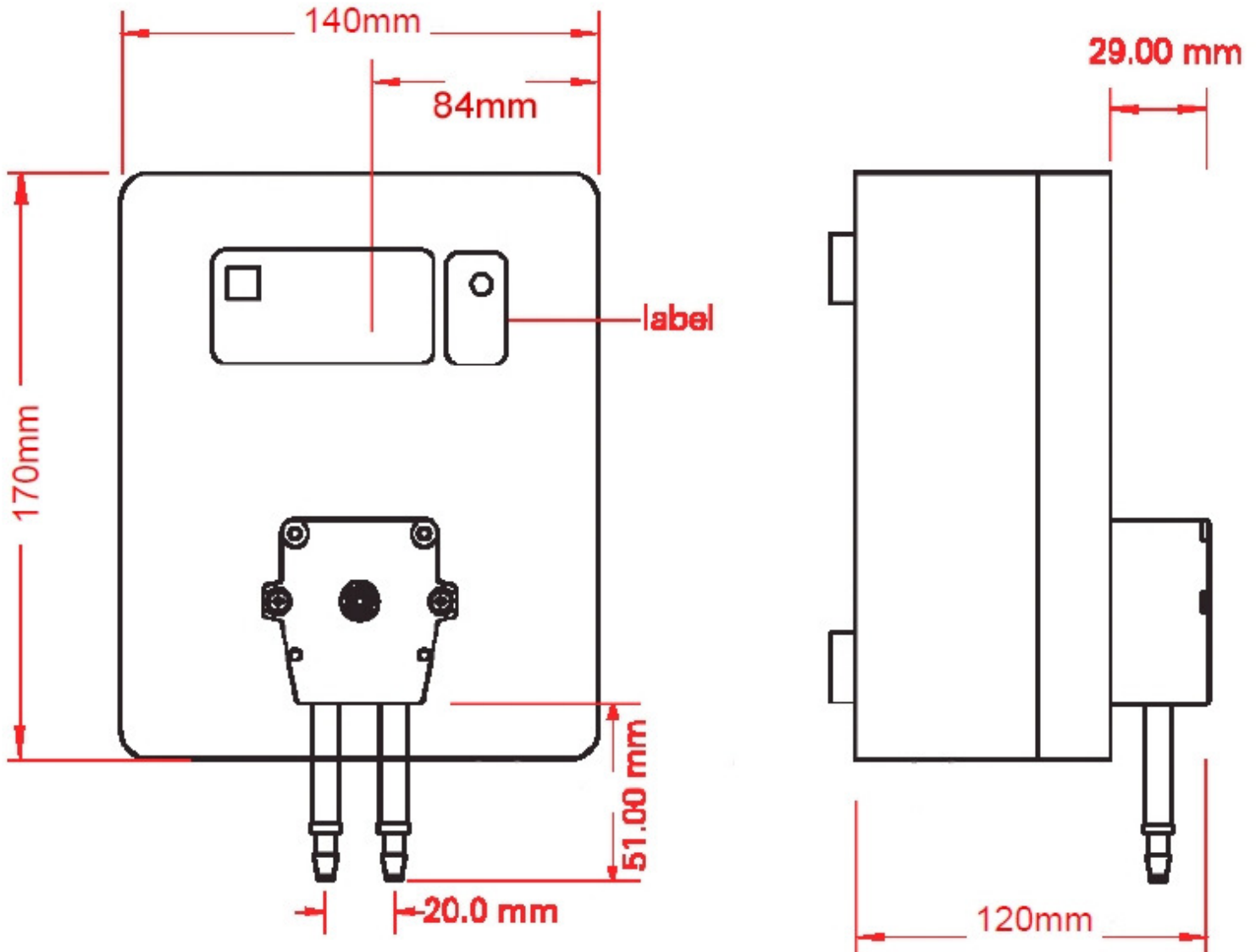
LDS3-B4/24 models are supplied with a sealed heavy duty alkaline battery pack fitted as standard. Additional plug-in LDS3-B battery packs are available from Williamson Manufacturing as a stock item. Please quote code "BATT4xD-LDS3-B" when ordering. Remote Battery Low Lamp and lead are ordered separately from the LDS3-B unit. Part number is "LDS3- RLB".

24 Hour Clock	Simple to set and easy to use. Simply select 0- 999 doses per day and unit will dose regularly.
Battery Operation	Use in any location, regardless of available power supply.
1ml Increment Dose Control	Set your dose volume (in millilitres) from 0 – 9999ml. Once programmed the unit will ensure reliable and consistent dosing, at up to 4 different times, on a daily basis.
Bright Red LED Display	Ensures excellent visibility for the user, even in restricted areas with poor light levels.
Low Power Consumption	Unit will give 3 years* life on a standard LDS3-B 4xD cel battery back. (* battery life based on a dose duration of 5 minutes per day)
Low Battery Warning Lamp	Warns the user to change the battery pack when necessary – avoids any risk of the unit not dosing due to a flat battery.
Remote Battery Warning Lamp	As an option, the battery warning lamp can be removed from the case and mounted on an extended lead. This gives the user the ability to mount the LDS3-B4/24 in a restricted or hard to access area, yet still be able to monitor battery life. Please note that fitting the remote battery warning lamp and lead removes the IP55 rating from the unit and it is suggested not to use in harsh environments.
200 Series pump	As with the LDS2 unit the LDS3-B4/24 uses our tried and tested 200 series pump head. Proven reliability and simple pump head replacement or tube change. Spares are readily available.
IP55 protection low	For harsh operating environments it is recommended not to utilize the optional remote low battery lamp - the IP55 case on the standard unit is designed to resist water and dust ingress.

The Williamson Manufacturing Company Ltd provides no warranty on usage of pumps. We recommend that life tests be carried out prior to use. This information is given in good faith and believed to be correct and current at time of publishing. The Williamson Manufacturing Company Ltd cannot accept responsibility for its inaccuracy or any errors or omissions contained herein. Copyright The Williamson Manufacturing Company Ltd 2008

LDS3-B4/24 programmable dosing pump

Specification Sheet 2 (last updated Aug 2011)



The easiest way to place an order or check prices is via our online shop at <http://www.williamson-shop.co.uk> but please contact us for any requirements not listed or to place an order over the phone.

The Williamson Manufacturing Company Ltd provides no warranty on usage of pumps. We recommend that life tests be carried out prior to use. This information is given in good faith and believed to be correct and current at time of publishing. The Williamson Manufacturing Company Ltd cannot accept responsibility for its inaccuracy or any errors or omissions contained herein. Copyright The Williamson Manufacturing Company Ltd 2008