

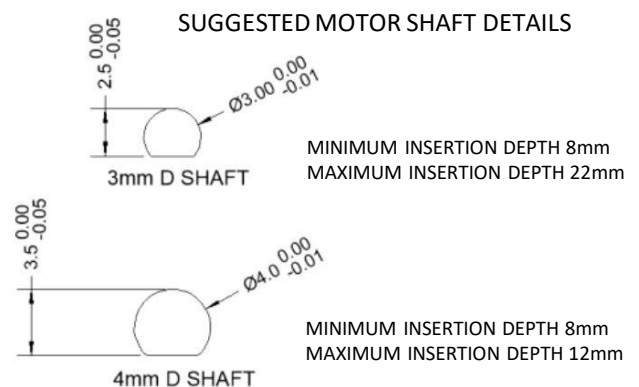
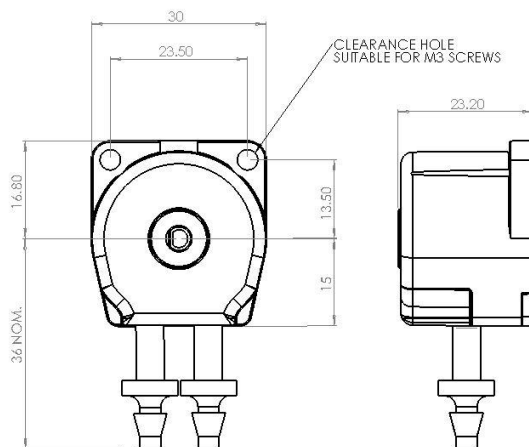
100CPT SERIES pump head only

- Very Compact
- Low Cost
- Various Tube Materials/Sizes
- 2 or 4 Rollers
- Integral Tube Grips
- Suitable for 3mm or 4mm D shafts



The 100CPT series, micro range of peristaltic pumps offer a low cost, compact & reliable means of dosing a wide range of liquids. They are available in various configurations of tubing type & size giving flow rates of between 0.08 & 0.26 ml/rev. The product is designed to be disposable but each pump head is assembled using two screws enabling dis-assembly & re-assembly for tube changing if required.

DIMENSIONS (mm)



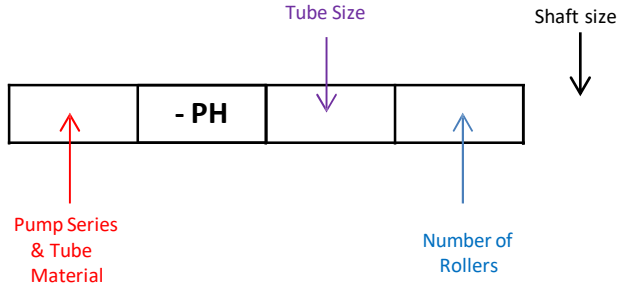
The Williamson Manufacturing Company Ltd provides no warranty on usage of pumps. We recommend that life tests be carried out prior to use. This information is given in good faith and believed to be correct at the time of publishing. The Williamson Manufacturing Company Ltd cannot accept responsibility for inaccuracy or any errors contained herein. Copyright the Williamson Manufacturing Company Ltd 2008.



Williamson Manufacturing Co Ltd
Unit 2, Centenary Industrial Estate
Hughes Road
Brighton
East Sussex BN2 4AW
UK
Email: sales@williamsonpumps.co.uk

100CPT series pump head only

Devise your product code by using codes from the table on the right where stated below.



102CPT-PH-016/4-4mm

Example product code for 100CPT series pump head fitted with Viton® tubing, 1.6mm ID tubing, 4 rollers suitable for 4mm D shaft

	Product Code
Pump Series and Tube Material	
Silicone	100CPT
Tygon® A60F Norprene	101CPT
Viton®	102CPT
Tygon Chemical® Norprene (3mm tube size only)	107CPT
Tube Size (bore) mm	
1.6	-016
3.0	-030
Number of rollers	
2	/2
4	/4
Motor Shaft size	
3mm D	-3mm
4mm D	-4mm

Materials of construction

Body & Back Plate	Rotor	Rollers
SAN	POM	Stainless Steel

Flow Rates ml per revolution

No of Rollers	1.6mm ID Tube			3.0mm ID Tube			
	SIL	A60F	Viton	SIL	A60F	Viton	Tygon Chemical
2	0.1	0.09	0.08	0.26	0.2	0.18	0.19
4	0.08	0.07	0.06	0.22	0.16	0.14	0.15

Flow rates for guidance only and subject to tube tolerance, tube age, fluid viscosity & back pressure.

The Williamson Manufacturing Company Ltd provides no warranty on usage of pumps. We recommend that life tests be carried out prior to use. This information is given in good faith and believed to be correct at the time of publishing. The Williamson Manufacturing Company Ltd cannot accept responsibility for inaccuracy or any errors contained herein. Copyright the Williamson Manufacturing Company Ltd 2008.



Williamson Manufacturing Co Ltd
 Unit 2, Centenary Industrial Estate
 Hughes Road
 Brighton
 East Sussex BN2 4AW
 UK
 Email: sales@williamsonpumps.co.uk