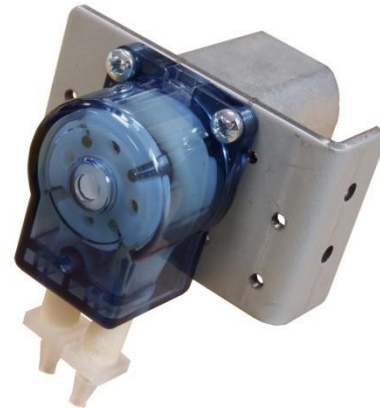


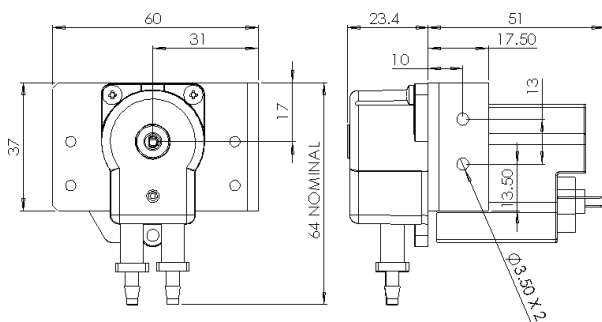
- Very Compact
- Low Cost
- Multiple Speed Options
- Various Tube Materials/Sizes
- 2 or 4 Rollers
- Integral Tube Grips



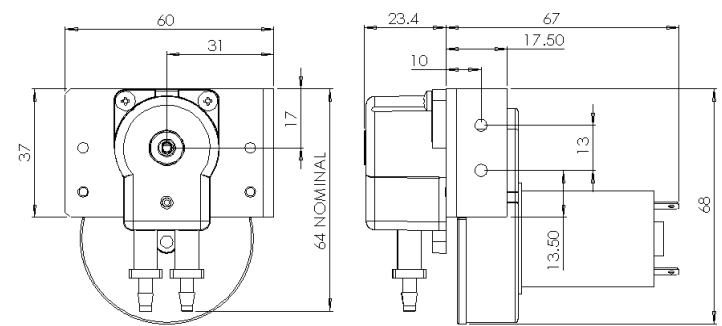
The 100 series, micro range of peristaltic pumps offer a low cost, compact & reliable means of dosing a wide range of liquids. They are available in various configurations of tubing type & size giving flow rates of between 0.016 & 0.26 ml/rev. The pump head is designed to be disposable but is assembled using a single screw enabling dis-assembly & re-assembly for tube changing if required.

DIMENSIONS (mm)

Variants (A) covered by this drawing are: 5, 18, 35 and 70 RPM brushed dc.



Variants (B) covered by this drawing are: 120, 150, 220 & 330 RPM brushed dc.



The Williamson Manufacturing Company Ltd provides no warranty on usage of pumps. We recommend that life tests be carried out prior to use. This information is given in good faith and believed to be correct at the time of publishing. The Williamson Manufacturing Company Ltd cannot accept responsibility for inaccuracy or any errors contained herein. Copyright the Williamson Manufacturing Company Ltd 2008.

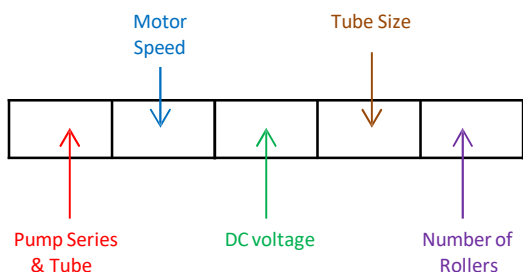


Williamson Manufacturing Co Ltd
Unit 2, Centenary Industrial Estate
Hughes Road
Brighton
East Sussex BN2 4AW
UK

Email: sales@williamsonpumps.co.uk

100 SERIES with DC powered motor

Devise your product code by using codes from the table on the right where stated below.



102-035-024-016/4

Example product code for 100 series pump head fitted with Viton® tubing, 35 RPM, 24v DC, 1.6mm ID tubing & 4 rollers

Motor current:

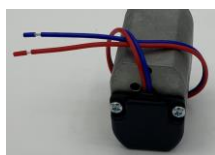
For Speeds 120 rpm & above – 400mA.

For Speeds 18, 35 & 70 rpm – 6v DC 300mA. 12v DC 170mA

18v DC 115mA. 24v DC 95mA

For 5 rpm – 60mA.

Motor connection covers with flying leads are available for the DC motor driven pumps just add suffix -cov to the part number.



Variant (A) cover and flying leads



Variant (B) cover and flying leads

	Product code
Pump series and tube material	
Silicone	100
Tygon® A60F Norprene	101
Viton®	102
Tygon Chemical® Norprene (available in 3mm tube only)	107
Speed rpm	
5 (available in 12 & 24v DC only) (A)	-005
18 (available in 6 & 12v DC only) (A)	-018
35 (A)	-035
70 (A)	-070
120 (available in 24v Dc only) (B)	-120
150 (available in 12v DC only) (B)	-150
220 (available in 24v DC only) (B)	-220
330 (available in 12v DC only) (B)	-330
DC Voltage	
6	-006
12	-012
18	-018
24	-024
Tube Size (bore) mm	
0.8	-008
1.6	-016
3.0	-030
Number of rollers	
2	/2
4	/4

Materials of construction

Body & Back Plate	Rotor	Rollers	Bracket
SAN	POM	Stainless Steel	Zintec

Flow Rates ml per revolution

No of Rollers	0.8mm ID Tube			1.6mm ID Tube			3.0mm ID Tube			
	SIL	A60F	Viton	SIL	A60F	Viton	SIL	A60F	Viton	Tygon Chemical
2	0.03	0.027	0.025	0.1	0.09	0.08	0.26	0.2	0.18	0.19
4	0.02	0.02	0.016	0.08	0.07	0.06	0.22	0.16	0.14	0.15

Flow rates for guidance only and subject to tube tolerance, tube age, fluid viscosity & back pressure.

The Williamson Manufacturing Company Ltd provides no warranty on usage of pumps. We recommend that life tests be carried out prior to use. This information is given in good faith and believed to be correct at the time of publishing. The Williamson Manufacturing Company Ltd cannot accept responsibility for inaccuracy or any errors contained herein. Copyright the Williamson Manufacturing Company Ltd 2008.



Williamson Manufacturing Co Ltd
Unit 2, Centenary Industrial Estate
Hughes Road
Brighton
East Sussex BN2 4AW
UK
Email: sales@williamsonpumps.co.uk