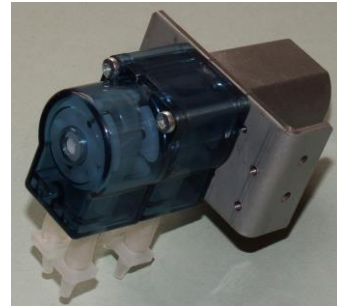


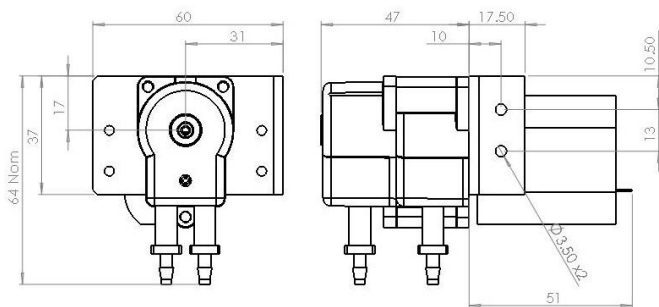
# 100 series stacked DC motor driven pump.

- Compact
- Low Cost
- Multiple options

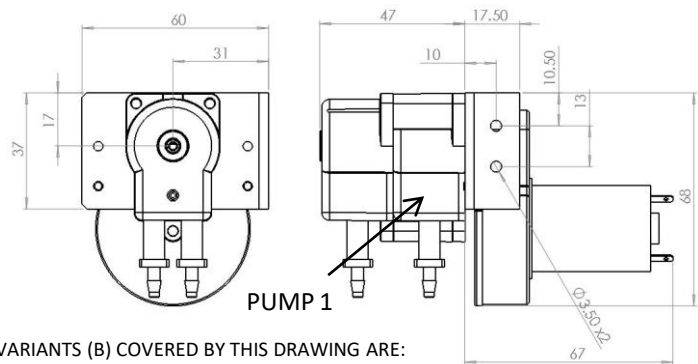


The micro range of 100 series stacked DC motor driven pumps offer a low cost, reliable means of dosing a wide variety of fluid. The pump is capable of pumping 2 different fluids in various ratios by using different tube materials/sizes on each pump head. They are available in various configurations such as: 2 or 4 roller, multiple tube materials & sizes giving flow rates between 0.016 and 0.26 ml/rev. Motor speeds options are available from 5 rpm to 330 rpm giving overall flow rates of between 0.08 & 85.8 ml/min.

## DIMENSIONS



VARIANTS (A) COVERED BY THIS DRAWING ARE: 5,18,35 & 70 RPM BRUSHED DC.



VARIANTS (B) COVERED BY THIS DRAWING ARE: 120,150,220 & 330 RPM BRUSHED DC.

## FLOW RATES ml per revolution per pump head

No of Rollers	0.8mm ID Tube			1.6mm ID Tube			3.0mm ID Tube			
	SIL	A60F	Viton	SIL	A60F	Viton	SIL	A60F	Viton	Tygon Chemical
2	0.03	0.027	0.025	0.1	0.09	0.08	0.26	0.2	0.18	0.19
4	0.02	0.02	0.016	0.08	0.07	0.06	0.22	0.16	0.14	0.15

Flow rates for guidance only and subject to tube tolerance, tube age, fluid viscosity & back pressure.

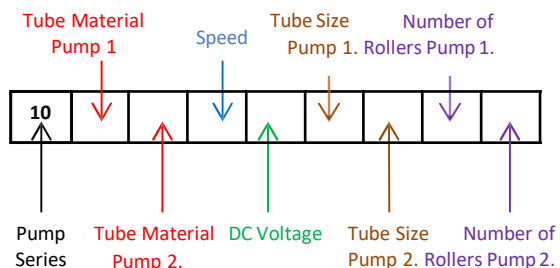
The Williamson Manufacturing Company Ltd provides no warranty on usage of pumps. We recommend that life tests be carried out prior to use. This information is given in good faith and believed to be correct at the time of publishing. The Williamson Manufacturing Company Ltd cannot accept responsibility for inaccuracy or any errors contained herein. Copyright the Williamson Manufacturing Company Ltd 2008.



**Williamson Manufacturing Co Ltd**  
 Unit 2, Centenary Industrial Estate  
 Hughes Road  
 Brighton  
 East Sussex BN2 4AW UK  
 Email: [sales@williamsonpumps.co.uk](mailto:sales@williamsonpumps.co.uk)

# 100 series stacked DC motor driven pump.

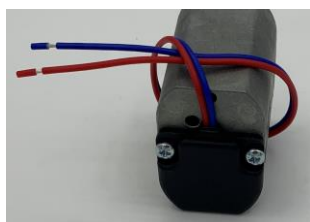
Devise your product code by using codes from the table on the right where stated below.



102-2-150-012-030-016/2/2

Example product code for 100 series stacked DC motor pump fitted with Viton® tubing in both pump heads, 150 rpm, 12v DC, 3mm ID tubing in pump 1, 1.6mm tubing in pump 2 & 2 rollers in both pumps.

Motor connection covers with flying leads are available for the DC motor driven pumps just add suffix -cov to the part number.



Variant (A) cover and flying leads



Variant (B) cover and flying leads

	Product Code
<b>Tube Material</b>	
Silicone	0
Tygon® A60F Norprene	1
Viton®	2
Tygon Chemical® Norprene (3mm tube size only)	7
<b>Speed</b>	
5 (available in 12 & 24v DC only)	005
18 (available in 6 & 12v DC only)	018
35	035
70	070
120 (available in 24v DC only)	120
150 (available in 12v DC only)	150
220 (available in 24v DC only)	220
330 (available in 12v DC only)	330
<b>DC Voltage</b>	
6	006
12	012
18	018
24	024
<b>Tube Size</b>	
0.8	-008
1.6	-016
3.0	-030
<b>Number of rollers</b>	
2	/2
4 (Silicone tubing only)	/4

## MATERIALS OF CONSTRUCTION

Body & Back Plate	Rotor	Rollers	Bracket
SAN	POM	PA66	ZINTEC

The Williamson Manufacturing Company Ltd provides no warranty on usage of pumps. We recommend that life tests be carried out prior to use. This information is given in good faith and believed to be correct at the time of publishing. The Williamson Manufacturing Company Ltd cannot accept responsibility for inaccuracy or any errors contained herein. Copyright the Williamson Manufacturing Company Ltd 2008.



**Williamson Manufacturing Co Ltd**  
Unit 2, Centenary Industrial Estate  
Hughes Road  
Brighton  
East Sussex BN2 4AW UK  
Email: [sales@williamsonpumps.co.uk](mailto:sales@williamsonpumps.co.uk)