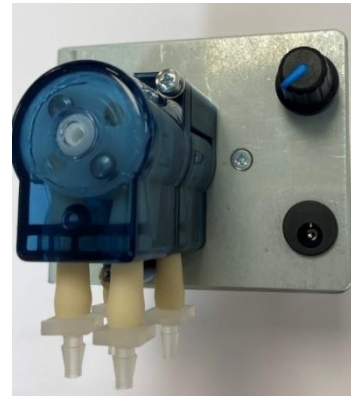


100 series stacked stepper motor driven pump.

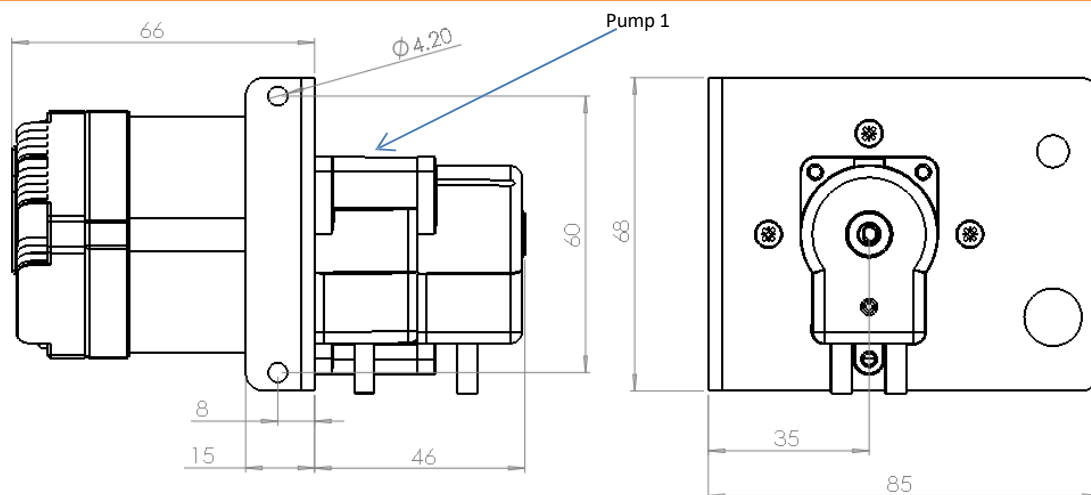
- Compact
- Low Cost
- Wide flow rate range
- Multiple options



The micro range of 100 series stacked stepper motor driven pump offer a low cost, reliable means of dosing a wide variety of fluid. The pump is capable of pumping 2 different fluids in various ratios by using different tube materials/sizes on each pump head. They are available in various configurations such as: 2 or 4 roller, multiple tube materials and sizes giving flow rates between 0.0025 and 39ml per minute per pump head.

The pumps are available with or without built in drivers, the "A" drives offer a small on driver speed control potentiometer suitable for uses such as calibration where the control is going to be used very infrequently or with a "B" drive which can have a bracket mounted (as pictured) or remote speed control potentiometer or the speed can be controlled by a 0-5v signal. With either driver the default speed control range is 0.15 to 150 rpm although they can be supplied as 0.15 to 38rpm or 0.15 to 20 rpm. As standard the units complete with driver are supplied with a 24v DC plug in power supply for use on 110/230v AC supplies but can be supplied for customer direct 24v DC connection.

Dimensions (mm)



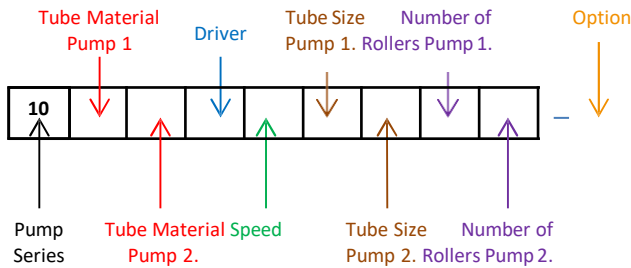
The Williamson Manufacturing Company Ltd provides no warranty on usage of pumps. We recommend that life tests be carried out prior to use. This information is given in good faith and believed to be correct at the time of publishing. The Williamson Manufacturing Company Ltd cannot accept responsibility for inaccuracy or any errors contained herein. Copyright the Williamson Manufacturing Company Ltd 2008.



Williamson Manufacturing Co Ltd
Unit 2, Centenary Industrial Estate
Hughes Road
Brighton
East Sussex BN2 4AW UK
Email: sales@williamsonpumps.co.uk

100 series stacked stepper motor driven pump.

Devise your product code by using codes from the table on the right where stated below.



102-2-SMB-150-030-016/2/2

Example product code for 100 series stacked stepper pump fitted with Viton® tubing in both pump heads, SMB driver, 0.15 to 150 rpm, 3mm ID tubing in pump 1, 1.6mm tubing in pump 2 & 2 rollers in both pumps.

As standard units supplied without a driver do **not** come as standard with a DC power supply.

Units fitted with an “A” type driver come as standard with a 24v power supply and DC socket.

Units fitted with a “B” type driver come as standard with a 24v power supply, DC socket & bracket mount speed control potentiometer.

Note #1: When option NP is selected “A” type driver units will be supplied without power supply or DC socket. “B” type driver units will be supplied without power supply, DC socket & bracket mount speed control.

To use 0-5v speed control or remote potentiometer option NP must be selected.

	Product Code
Tube Material	
Silicone	0
Tygon® A60F Norprene	1
Viton®	2
Tygon Chemical® Norprene (3mm tube size only)	7
Driver Type	
None	
A type (on driver speed control)	
B type (separate speed control)	
Motor Speed range RPM	
0.15 to 20	-020
0.15 to 38	-040
0.15 to 150	-150
Tube Size	
0.8	-008
1.6	-016
3.0	-030
Number of rollers	
2	/2
4 (Silicone tubing only)	/4
Options	
No power supply (see note #1)	-NP

For more information see www.wmcpumps.com

Flow rates ml per revolution

Flow rates for guidance only and subject to tube tolerance, tube age, fluid viscosity & back pressure.

No of Rollers	0.8mm ID Tube			1.6mm ID Tube			3.0mm ID Tube			
	SIL	A60F	Viton	SIL	A60F	Viton	SIL	A60F	Viton	Tygon Chemical
2	0.03	0.027	0.025	0.1	0.09	0.08	0.26	0.2	0.18	0.19
4	0.02	0.02	0.016	0.08	0.07	0.06	0.22	0.16	0.14	0.15

The Williamson Manufacturing Company Ltd provides no warranty on usage of pumps. We recommend that life tests be carried out prior to use. This information is given in good faith and believed to be correct at the time of publishing. The Williamson Manufacturing Company Ltd cannot accept responsibility for inaccuracy or any errors contained herein. Copyright the Williamson Manufacturing Company Ltd 2008.



Williamson Manufacturing Co Ltd
 Unit 2, Centenary Industrial Estate
 Hughes Road
 Brighton
 East Sussex BN2 4AW UK
 Email: sales@williamsonpumps.co.uk