

200 CM variable speed cased pump



- Splash proof ABS injection moulded case.
- Dual speed control and cycling timer function
- Choice of supply voltage
- Uses standard 200 series mini pump heads
- Flow rates from 0.5ml → 160ml per minute
- Four tube materials and three tube sizes available.

The 200CM Series pump is available in numerous configurations allowing you to specify tubing type, tubing bore ID, RPM, voltage, and as a consequence, flow rate.

These pumps are low cost, compact and ideal for a wide range of low pressure dosing duties. The units are prewired for simplicity of installation and all use the standard 200 series mini-pump head, which can be supplied fitted with Silicone, Santoprene™, Tygon Norprene®, Viton® or Tygon Norprene Chemical® tubing in a variety of sizes to suit virtually any application, regardless of chemical compatibility. The new twin adjustment facility allows the user to adjust both pump speed and reduce run time to give a wide adjustment of flow range from maximum down to 10%.

Adjuster (A) gives cycling time adjustment, ranging from continuous running at MAX setting to an intermittent 3 seconds off/1 second on when reduced to MIN setting. Adjuster (B) gives a range of flow control from maximum speed down to approximately 35% of full flow. See line drawing below.

As standard they are available in 24v (AC or DC) & 230v AC, however for large volumes they can be produced to a custom spec complete with private labelling.

The optional Installation kit comprises of 5m PVC tube (4mmID, 6mmOD), 2 x fixing plugs & screws, Suction weight, Foot filter, 2 x barbed PP tube connectors, and 4 x cable ties. There is also an option to choose (at extra cost) an injection valve where the pump is being used to dose into a pressure line (max pressure 2 bar - 25psi)

These units are prewired with a 2 core power lead approximately 2m long with bared ends for simplicity of installation.

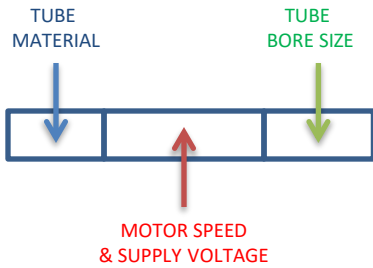
The Williamson Manufacturing Company Ltd provides no warranty on usage of pumps. We recommend that life tests be carried out prior to use. This information is given in good faith and believed to be correct at the time of publishing. The Williamson Manufacturing Company Ltd cannot accept responsibility for inaccuracy or any errors contained herein. Copyright the Williamson Manufacturing Company Ltd 2008.



Williamson Manufacturing Co Ltd
Unit 2, Centenary Industrial Estate
Hughes Road
Brighton
East Sussex BN2 4AW
UK
Email: sales@williamsonpumps.co.uk

200 CM variable speed cased pump

Devise your product code:



For example: A CM pump with 3mm bore silicone tube, 70 rpm 230v AC would be 200-070-230-030CM.

Flow rates ml/min.

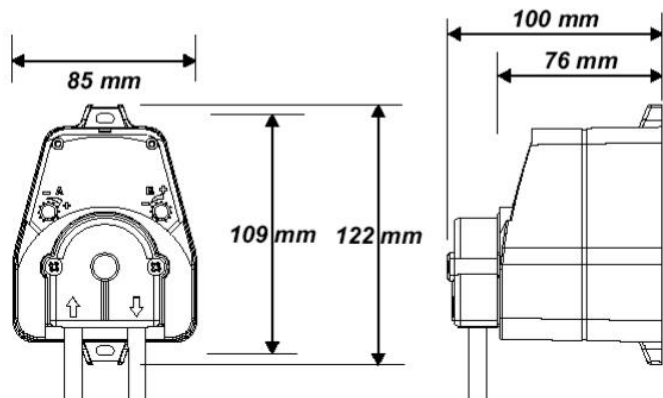
Speed & voltage	1.6mm Tube	3mm Tube	5mm Tube
70rpm 230v	16	50	95
140 rpm 230v	30	90	165
70 rpm 24v DC	10	29	55
140 rpm 24v DC	16	51	97
70 rpm 24v AC	13	37	82
140 rpm 24v AC	21	67	141

Note: These flow rates are based on Silicone tubing pumping water. Norprene & Santoprene will be approx. 20% less. Viton & Norprene Chemical will be approx. 25% less.

All flow figures are for guidance only and are effected by tube tolerances, age, back pressure and fluid viscosity.

	Product Code
Tube Material	
Silicone	200-
Tygon A60F® (not 5mm on 140 rpm pumps)	201-
Santoprene (food grade) (5mm only)	201F-
Viton® (not 5mm on 140 rpm pumps)	202-
Tygon A60G (not 5mm on 140RPM pumps)	205-
Tygon Norprene Chemical® (not 5mm on 140 rpm pumps)	207-
Speed & Voltage	
70 rpm 230v AC	070-230
140 rpm 230v AC	140-230
70 rpm 24v (DC or AC)	070-024
140 rpm 24v (DC or AC)	140-024
Tube Bore Size	
1.6mm (not available in Tygon Norprene Chemical)	-016CM
3mm	-030CM
5mm	-050CM

Dimensions:



The Williamson Manufacturing Company Ltd provides no warranty on usage of pumps. We recommend that life tests be carried out prior to use. This information is given in good faith and believed to be correct at the time of publishing. The Williamson Manufacturing Company Ltd cannot accept responsibility for inaccuracy or any errors contained herein. Copyright the Williamson Manufacturing Company Ltd 2008.



Williamson Manufacturing Co Ltd
Unit 2, Centenary Industrial Estate
Hughes Road
Brighton
East Sussex BN2 4AW
UK

Email: sales@williamsonpumps.co.uk