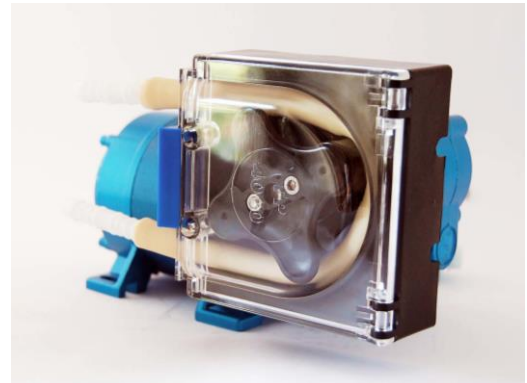


4000 SERIES pump with AC motor

Williamson
UK manufacturers of quality peristaltic pumps

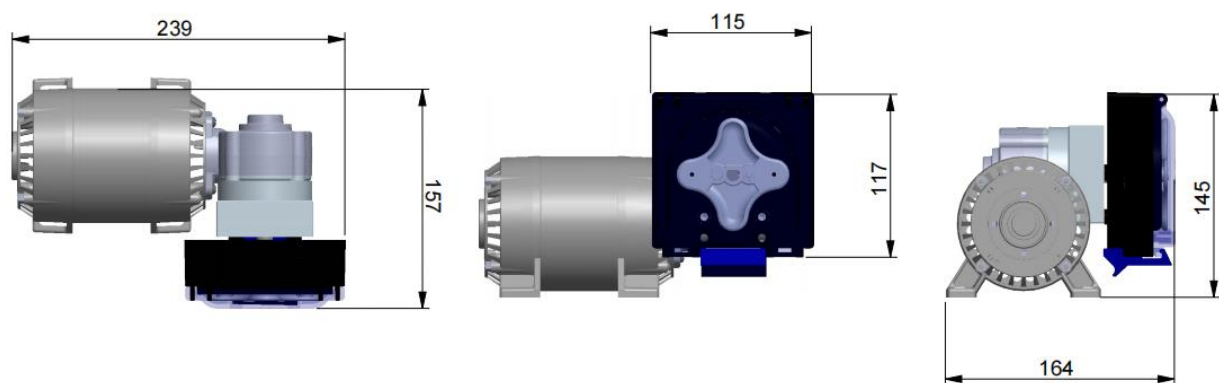
- 230v AC 100w motor
- 4 mounting options
- Hinged lid for tube replacement
- No tube lubrication required
- Flows up to 4L per minute



The 4000 is a high performance and versatile peristaltic pump. The hinged lid forms an integral part of the pump construction, and releasing the lid catch facilitates tubing replacement. The lid can also be removed completely for tube replacement in confined spaces. Options available for this unit include a choice of tube material and size & motor speed.

The motor has a duty cycle from 30 minutes and thanks to the slotted holes in the motor mounting feet can be secured firmly.

DIMENSIONS (mm)

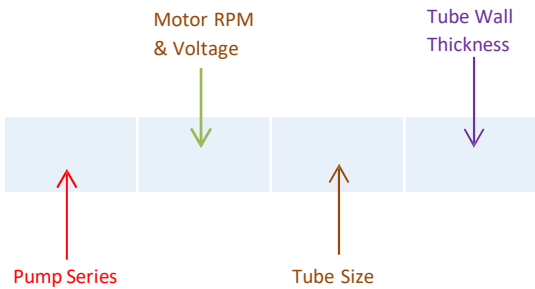


The Williamson Manufacturing Company Ltd provides no warranty on usage of pumps. We recommend that life tests be carried out prior to use. This information is given in good faith and believed to be correct at the time of publishing. The Williamson Manufacturing Company Ltd cannot accept responsibility for inaccuracy or any errors contained herein. Copyright the Williamson Manufacturing Company Ltd 2008.

Williamson Manufacturing Co Ltd
Unit 2, Centenary Industrial Estate
Hughes Road
Brighton
East Sussex BN2 4AW UK
Email: sales@williamsonpumps.co.uk

4000 SERIES pump with AC motor

Devise your product code by using codes from the table on the right where stated below.

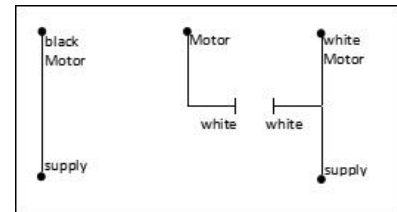


4000-210-230-100/3.2

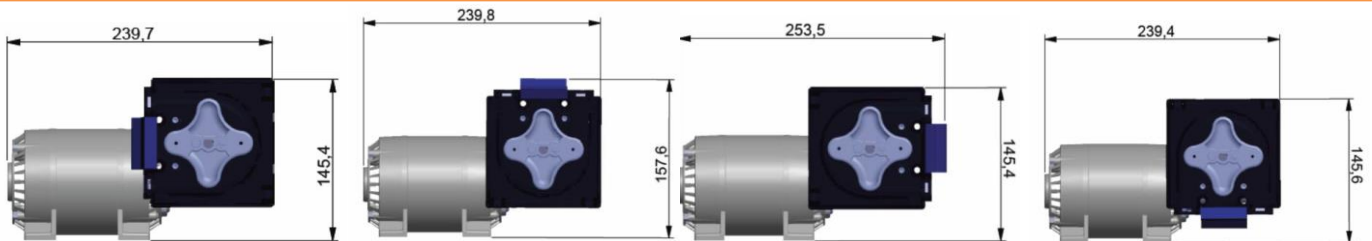
Example product code for 4000 series pump head fitted with Silicone tubing, 210 rpm 230v AC fitted with 9.5 diameter tubing with a 3.2mm wall.

| | Product code |
|--------------------------------------|--------------|
| Pump series and tube material | |
| Silicone (Peroxide Cured) | 4000 |
| Santoprene | 4001 |
| Motor Speed & Voltage | |
| 46 rpm 230v 50Hz AC | 046-230 |
| 84 rpm 230v 50Hz AC | 084-230 |
| 152 rpm 230v 50Hz AC | 152-230 |
| 210 rpm 230v 50Hz AC | 210-230 |
| 300 rpm 230v 50Hz AC | 300-230 |
| Tube Size (bore) mm | |
| 6.4 | -060 |
| 8.0 | -080 |
| 9.5 | -100 |
| Tube Wall Thickness | |
| 2.4 | /2.4 |
| 3.2 (9.5 dia tube only) | /3.2 |

Motor supplied with starting capacitor see connection information right.



Head mounting alternatives



Flow Rates ml per revolution

| Tube I.D | Silicone tubing | Santoprene tubing |
|----------|-----------------|-------------------|
| 6.4 | 6.4 | 5.5 |
| 8mm | 9.9 | 8.4 |
| 9.5mm | 11.6 | 9.9 |

Flow rates for guidance only and subject to tube tolerance, tube age, fluid viscosity & back pressure.

The Williamson Manufacturing Company Ltd provides no warranty on usage of pumps. We recommend that life tests be carried out prior to use. This information is given in good faith and believed to be correct at the time of publishing. The Williamson Manufacturing Company Ltd cannot accept responsibility for inaccuracy or any errors contained herein. Copyright the Williamson Manufacturing Company Ltd 2008.

Williamson Manufacturing Co Ltd
Unit 2, Centenary Industrial Estate
Hughes Road
Brighton
East Sussex BN2 4AW UK
Email: sales@williamsonpumps.co.uk