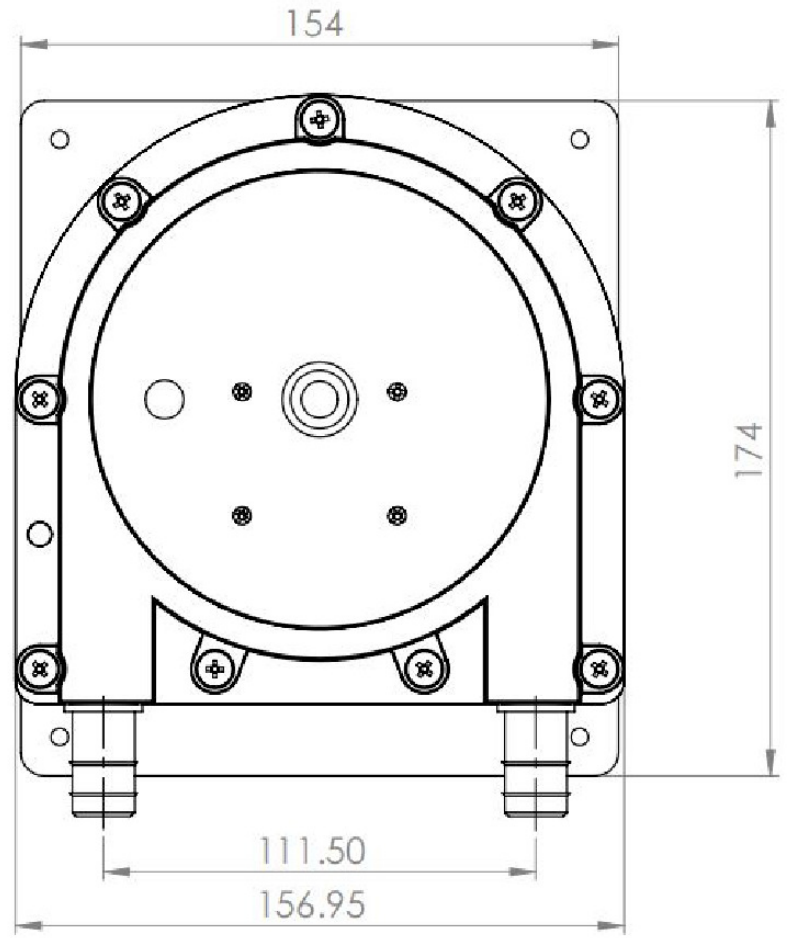
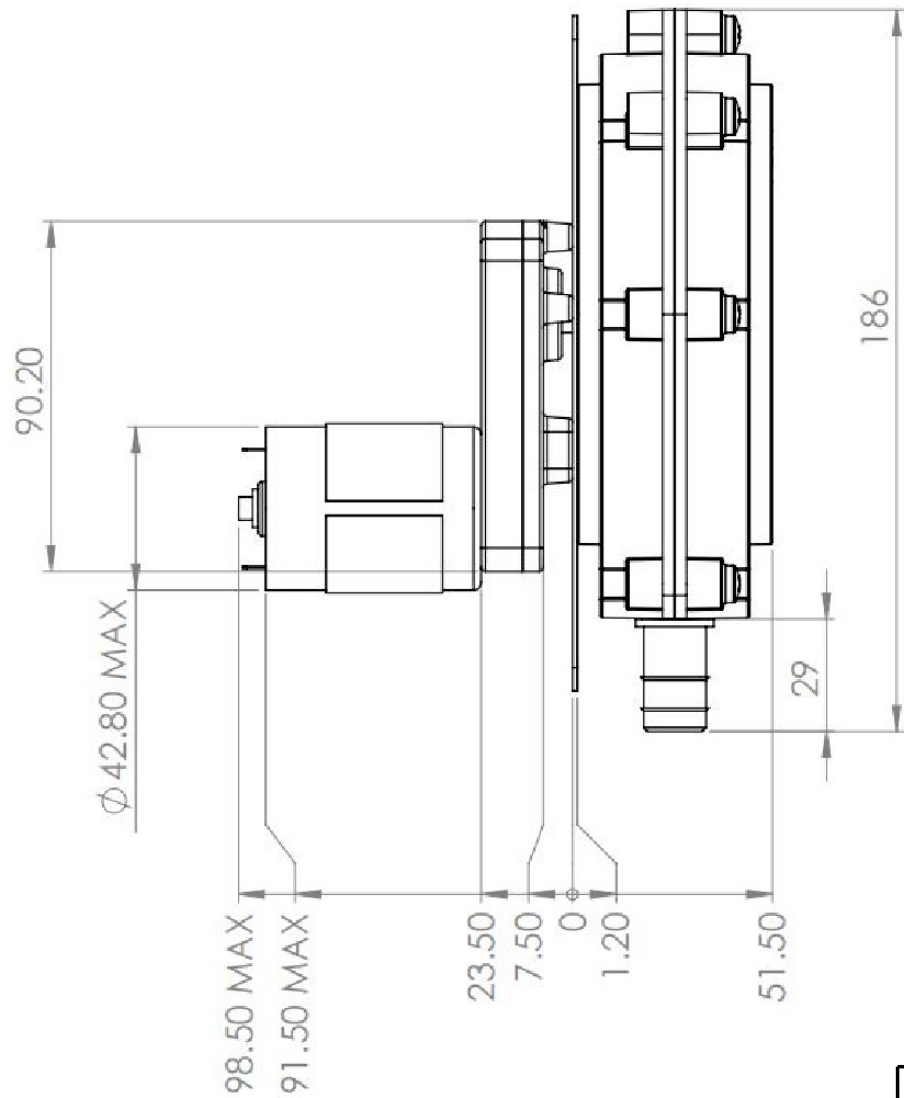


8 7 6 5 4 3 2

F
E
D
C
B
A



IF IN DOUBT- ASK!		DRAWN	CHECKED	DATE 28/09/22	SCALE
		PRODUCT 400 series with DC motors			
MASS		DRG NO. 52495		REV 1	SHEET 1/1
MATERIAL:		UNLESS OTHERWISE SPECIFIED: DIMENSIONS ARE IN MILLIMETERS TOLERANCES ARE DECIMAL UNITS = +/-0.5 .X = +/-0.2 .XX = +/-0.1		INFORMATION SHOWN ON THIS DOCUMENT INCORPORATES PROPRIETARY RIGHTS AND IS NOT TO BE DUPLICATED WHOLLY OR IN PART WITHOUT THE EXPRESS PERMISSION OF WILLIAMSON MANUFACTURING CO. LTD	
FINISH		ANGLES 1.0 DEG 0.5 DEG 0.1 DEG			

**WILLIAMSON
MANUFACTURING
COMPANY LTD**
TEL:-01273 857752
FAX:-01273 857511
EMAIL: admin@wmc pumps.com
WEBSITE: www.wmc pumps.com

8 7 6 5 4 3 2

F
E
D
C
B
A