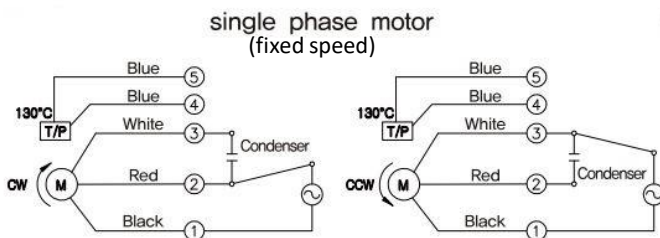


400 series induction motor wiring

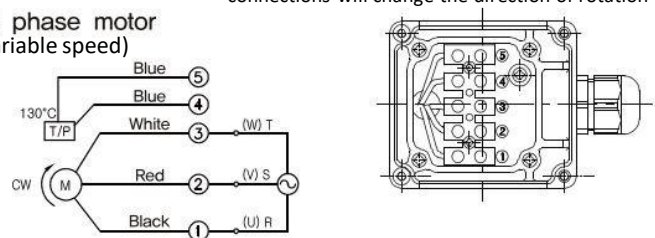


Note: All wiring to be carried out by qualified personel and must adhere to the relevent wiring codes.

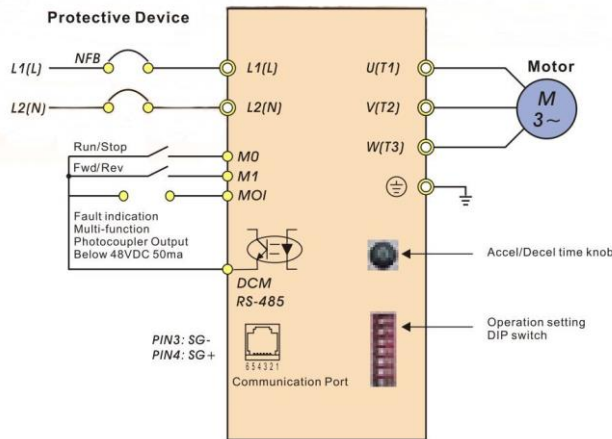


Depending on the gearbox ratio it may be necessary to change the direction of rotation to get the gearbox output shaft to drive the pump clockwise

On 3 phase motors swapping any 2 of the R, S, T connections will change the direction of rotation



The direction of motor rotation is as viewed from the front shaft end of the motor



Speed controller (inverter) Variable speed option only.

Basic inverter specifications:

| | |
|---------------------------|------------|
| Mains Voltage V | 180 to 264 |
| Mains Frequency Hz | 47 to 63 |
| Rated input current A | 0.7 |
| Output Frequency range Hz | 0 to 120 |
| Operating temperature °C | -10 to +40 |

The Williamson Manufacturing Company Ltd provides no warranty on usage of pumps. We recommend that life tests be carried out prior to use. This information is given in good faith and believed to be correct at the time of publishing. The Williamson Manufacturing Company Ltd cannot accept responsibility for inaccuracy or any errors contained herein. Copyright the Williamson Manufacturing Company Ltd 2008.



Williamson Manufacturing Co Ltd
 Unit 2, Centenary Industrial Estate
 Hughes Road
 Brighton
 East Sussex BN2 4AW UK
 Email: sales@williamsonpumps.co.uk