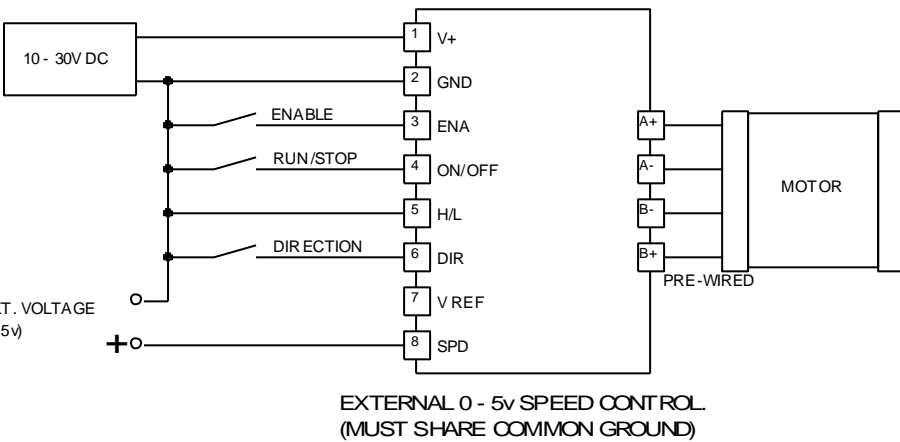
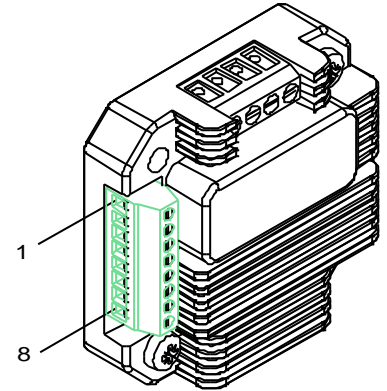
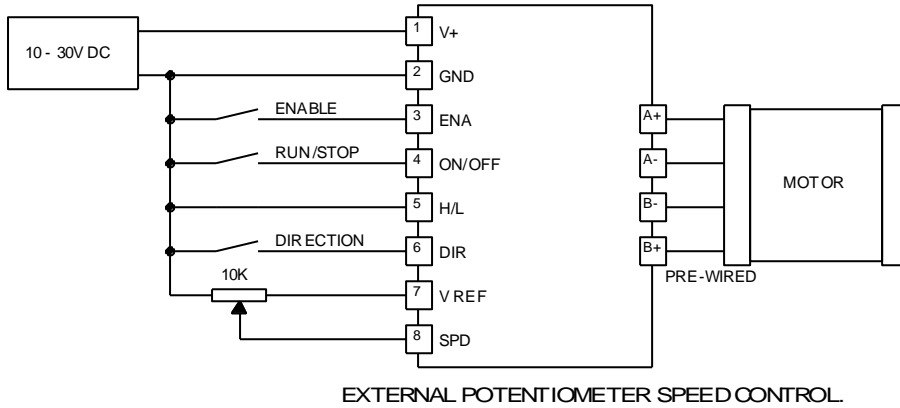


"B" Type Driver connection details.

Note: 10-30v DC supply refers to silicone tube for other tube types use 24-30v DC



NEVER CONNECT V REF TO 0V.

WARNING: DO NOT REVERSE POLARITY

H/L must be connected to 0v.

ENA, On/Off & Direction connections are optional.

Pump will run clockwise once supply is connected remove to stop or alternatively connect 0v to ENA this will stop motor. Connecting 0v to ON/OFF will also stop the motor but it is a powered stop/hold so motor will remain powered all the time causing additional heat generation.

Please call the office if you have any connection queries as in-correct connection could cause damage to the driver.

The Williamson Manufacturing Company Ltd provides no warranty on usage of pumps. We recommend that life tests be carried out prior to use. This information is given in good faith and believed to be correct at the time of publishing. The Williamson Manufacturing Company Ltd cannot accept responsibility for inaccuracy or any errors contained herein. Copyright the Williamson Manufacturing Company Ltd 2008.

Williamson Manufacturing Co Ltd
Unit 5 Lady Bee Industrial Estate
Southwick
West Sussex BN42 4EP
UK
Email: sales@williamsonpumps.co.uk