

Key Features

- Positive displacement 3 chamber diaphragm pump
- Self priming (up to 1.5m)
- Bypass operation (internal re-circulation)
- Capable of dry running.
- 24VDC – 36VDC operation
- CE approved
- Extensive range of fittings
- Suitable for food and drink application NSF 58



Specifications

- up to 2 Litres/min at open flow
- Liquid temperatures 60 deg C max
- Max inlet pressure 56 PSI
- Bypass pressure 60 or 100 PSI
- Totally enclosed non-ventilated permanent magnet motor.
- For User safety, optimal performance and maximum motor life, the motor is equipped with a thermal protector that limits the motor shell temperature to 63 °C. At full bypass (130 PSI) the pump can run continuously for approx 25-30 minutes before the thermal breaker opens, allowing the motor to cool.
- Weight 2.7 Kg.

Note: Motor will run continuously unless supply is removed.

Materials of construction

Wetted parts

Pump body & valve housing - Nylon
Valves - EPDM or VITON
Diaphragm – Santoprene

Non Wetted parts

Motor casing & mounting plate –
Steel & Aluminium

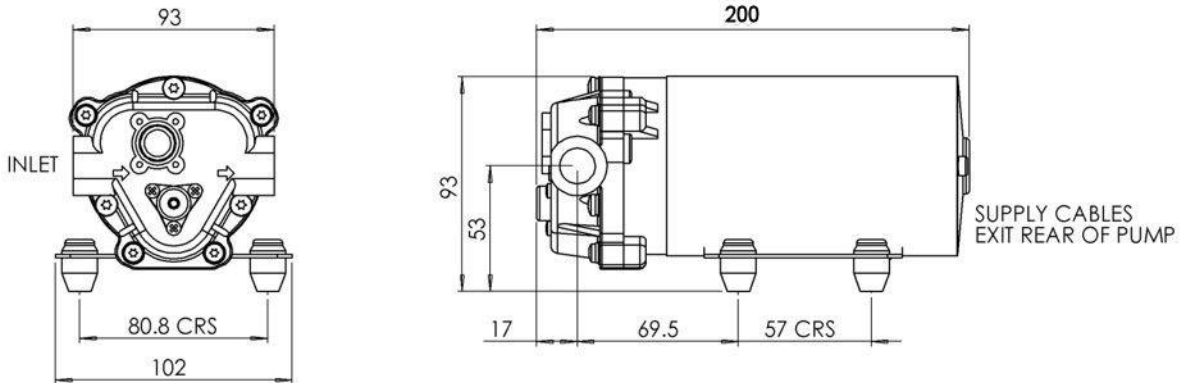
Performance data for 100 PSI variant on 24VDC

Pressure PSI	Flow L/min	Motor current A
0	1.9	0.28
Full Bypass	0.0	0.95

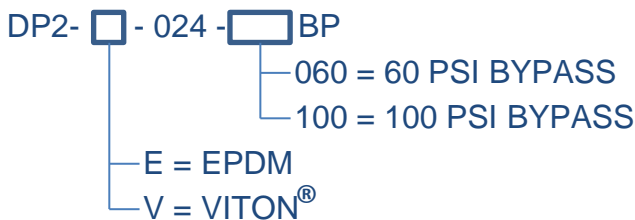
Williamson Manufacturing Co Ltd
Unit 2, Centenary Industrial Estate
Hughes Road
Brighton
East Sussex BN2 4AW UK
Email: sales@williamsonpumps.co.uk

Dimensions

- Inlet/outlet 3/8" NPT Female
- Supplied with 290mm long flying leads. 1 x red, 1 x Black for supply (connect either way round)



Ordering options



Example: DP2-E-024-100BP
Is a DP2 24VDC Bypass pump with EPDM valves and a bypass setting of 100 PSI.

Fittings

Shurflo swivel fittings, strainer and adaptor. Shurflo fittings are NSF approved materials

Swivel elbow adaptor (PP)		Swivel straight adaptor (PP)		Inlet strainers (PP)		
234-3916	3/8" Barb-1/2" NPT-F	234-2916	3/8" Barb-1/2" NPT-F	255-215	In 1/2" NPT Hex wing nut	Out 1/2" NPT Hex wing nut
234-3926	1/2" Barb-1/2" NPT-F	234-2926	1/2" Barb-1/2" NPT-F	255-225	In 1/2" Barb straight	Out 1/2" NPT Hex wing nut
234-3936	5/8" Barb-1/2" NPT-F	234-2936	5/8" Barb-1/2" NPT-F	Adaptor to give 1/2" NPT Male thread		
234-3946	3/4" Barb-1/2" NPT-F	234-2946	3/4" Barb-1/2" NPT-F	244-5286		3/8" NPTF - 1/2" NPTM

Williamson Manufacturing Co Ltd
Unit 2, Centenary Industrial Estate
Hughes Road
Brighton
East Sussex BN2 4AW UK
Email: sales@williamsonpumps.co.uk

Spare Parts:-

ITEM	PART NUMBER	DESCRIPTION
1	94-236-64	Pump Head Kit for -BP
2	94-379-01	Upper Housing- BP & SW
3	94-391-36	Valve Kit (EPDM) -BP
4	94-391-25	Valve Kit (Viton®) -BP
5	94-385-30	Diaphragm/Drive

Williamson Manufacturing Co Ltd
Unit 2, Centenary Industrial Estate
Hughes Road
Brighton
East Sussex BN2 4AW UK
Email: sales@williamsonpumps.co.uk