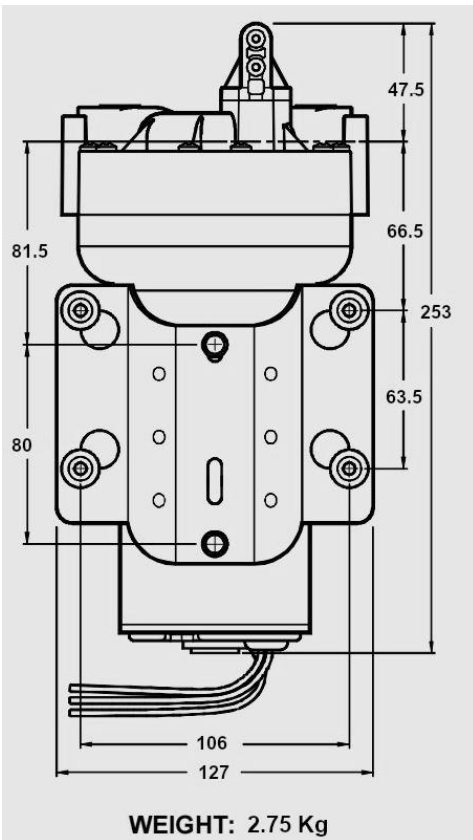
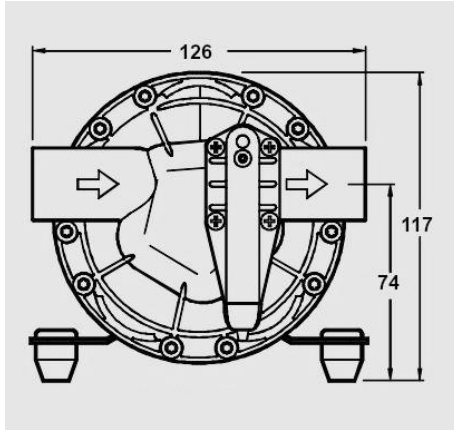


DP20 24v DC Switched Diaphragm pump

April 2023

The DP20 is a 5 chamber Diaphragm pump available with pressure switch control. The pump has an open flow output of 19.5 L/min and is available with EPDM or Viton valves.



Specifications:

Fluid connections - 1/2" NPT female.

Motor type - 24 VDC permanent magnet fully enclosed non-ventilated.

Connection leads - 14 AWG 300mm long.

Duty cycle - continuous, subject to ambient temperature see note #1.

Design - 5 chamber diaphragm pump self priming to 3 meters, capable of being run dry.

Typical application - Industrial grade water transfer.

Maximum fluid temperature - 60°C

Materials:

Housing: Nylon for EPDM valves, PP for Viton.

Valves: EPDM or Viton.

Diaphragm: Santoprene.

Fasteners: Stainless steel, zinc plated carbon steel.

Weight: 2.75Kg.

Notes.

#1. For user safety, optimal performance and motor life, the motor is fitted with a thermal protector that limits the motor shell to 63°C. This should mean that the unit can run continuously at a maximum current of 5.1A as long as the ambient and fluid temperature is below 21°C for ambients higher than this and when running at higher currents (pressure) the duty cycle will need to be reduced and cooling periods introduced (typically 20 mins).

The Williamson Manufacturing Company Ltd provides no warranty on usage of pumps. We recommend that life tests be carried out prior to use. This information is given in good faith and believed to be correct at the time of publishing. The Williamson Manufacturing Company Ltd cannot accept responsibility for inaccuracy or any errors contained herein. Copyright the Williamson Manufacturing Company Ltd 2008.

Williamson Manufacturing Co Ltd
Unit 2, Centenary Industrial Estate
Hughes Road
Brighton
East Sussex BN2 4AW UK
Email: sales@williamsonpumps.co.uk
+44(0)1273 857752

DP20 24v DC Switched Diaphragm pump

Performance data.

Discharge pressure (PSI)	Flow rate (L/Min)	Current (Amps)
70	11.7	8.5
60	12.3	7.6
50	13.2	7.0
40	14.2	6.1
30	15.7	5.1
20	16.8	4.3
10	18.1	3.2
0 (open flow)	19.5	3.0

Performance measured with flooded inlet (0 PSI), 70°F (21°C) ambient and water temperature, and voltage controlled at 24v DC. Positive inlet pressure will increase the discharge pressure by a similar amount for a given flow. Maximum inlet pressure is 60 PSI.

Ordering options.

DP20- - 024 - 070 -SW

↑
VALVE MATERIAL: E - EPDM
V - VITON

EXAMPLE:

DP20 24v DC DEMAND PUMP WITH VITON VALVES AND PRESSURE SWITCH CONTROL AT 70 PSI WOULD BE: DP20-V-230-070-SW.

The Williamson Manufacturing Company Ltd provides no warranty on usage of pumps. We recommend that life tests be carried out prior to use. This information is given in good faith and believed to be correct at the time of publishing. The Williamson Manufacturing Company Ltd cannot accept responsibility for inaccuracy or any errors contained herein. Copyright the Williamson Manufacturing Company Ltd 2008.

Williamson Manufacturing Co Ltd
Unit 2, Centenary Industrial Estate
Hughes Road
Brighton
East Sussex BN2 4AW UK
Email: sales@williamsonpumps.co.uk
+44(0)1273 857752