

DP5 12v DC & 230V AC Switched Diaphragm Pumps

Williamson
UK manufacturers of quality peristaltic pumps

Key Features

- Positive displacement 3 chamber diaphragm pump
- Self Priming (up to 1.5m)
- Pressure switch operation
- Capable of dry running
- 12v DC or 230v AC 50/60Hz – 110VAC available on request
- CE approved (230VAC only)
- Extensive range of fittings
- Suitable for food and drink application NSF 58



Specifications

- Up to 5.5 Litres/min at open flow
- Liquid temperatures 60 deg C max
- Switch off pressure 60 PSI – 100 psi on request
- Totally enclosed non-ventilated permanent magnet motor on AC version, Brushed motor on DC version
- For user safety, optimal performance and maximum motor life, the motor is equipped with a thermal protector that limits the motor shell temperature to 63°C (AC version only)
- Approx pack weight 3.0Kg
- Note mounting bracket is welded in position on the DC version

Performance data. (for guidance only)

Pressure PSI	Flow L/min	DC Motor Current A	AC Motor Current A
0	5.5	3.0	0.15
20	5.0	4.0	0.19
40	4.3	4.8	0.24
60	3.7	5.8	0.29

Materials of construction

Wetted parts

Pump body & valve housing - Nylon

Valves - EPDM or Viton®

Diaphragm – Santoprene

Screws – Stainless Steel

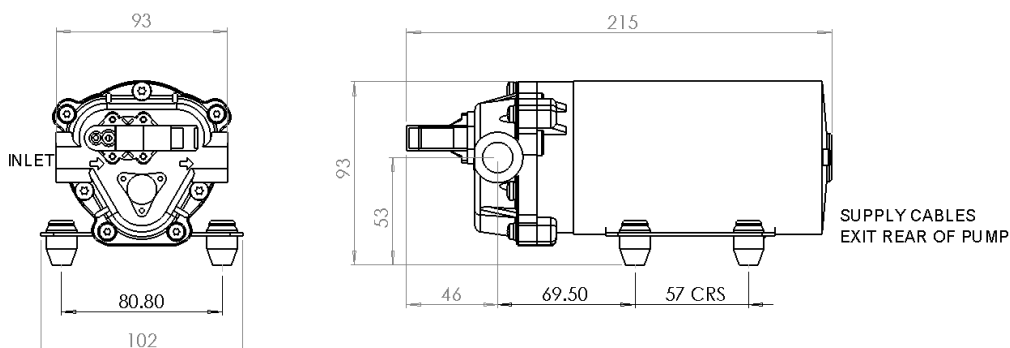
Williamson Manufacturing Co Ltd
Unit 2, Centenary Industrial Estate
Hughes Road
Brighton, East Sussex BN2 4AW UK
Email: sales@williamsonpumps.co.uk

DP5 12v DC & 230V AC Switched Diaphragm Pumps

Williamson
UK manufacturers of quality peristaltic pumps

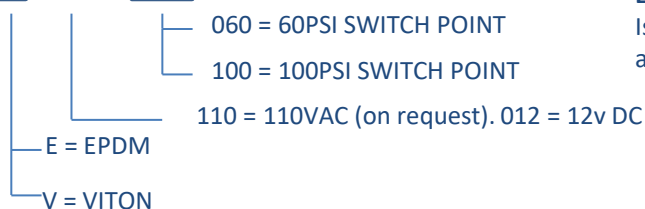
Dimensions

- Inlet/outlet 3/8" NPT female
- Supplied with 0.5m leads



Ordering options

DP5- -230- SW



Example: DP5-E-230-060SW

Is a DP5 230v AC switched pump with EPDM valves and a switch setting of 60 PSI.

Spare Parts:-

ITEM	PART NUMBER	DESCRIPTION
1	94-379-01	Upper Housing- BP & SW
2	94-390-08	Valve Kit (EPDM) -SW
3	94-390-15	Valve Kit (Viton®)-SW
4	94-385-30	Diaphragm/Drive

Williamson Manufacturing Co Ltd
Unit 2, Centenary Industrial Estate
Hughes Road
Brighton, East Sussex BN2 4AW UK
Email: sales@williamsonpumps.co.uk

DP5 12v DC & 230V AC Switched Diaphragm Pumps

ACCESSORIES

Accumulator - Needs to be adjusted.

The pre-charge (pre-set at 30 psi) should be equal to the pump re-start pressure and can be adjusted with a bicycle pump (schrader valve) & pressure gauge. Recommended pre-charge for various switch off pressures are:

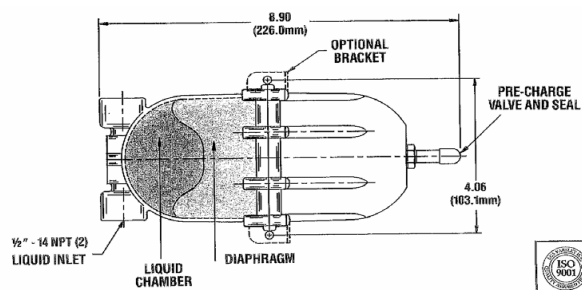
16 psi switch pressure - 10 psi +/- 2 pre-charge.

20 psi switch pressure - 12 psi +/- 2 pre-charge.

30 psi switch pressure - 18 psi +/- 5 pre-charge.

45 psi switch pressure - 25 psi +/- 5 pre-charge.

Part Number: 182-200-Accumulator 30PSI



Fittings

Shurflo swivel fittings, strainer and adaptor.

Shurflo fittings are NSF approved materials

Swivel elbow adaptor (PP)		Swivel straight adaptor (PP)		Inlet strainers (PP)		
234-3916	3/8" Barb- 1/2" NPT-F	234- 2916	3/8" Barb- 1/2" NPT-F	255-215	In 1/2" NPT Hex wing nut	Out 1/2" NPT Hex wing nut
234-3926	1/2" Barb- 1/2" NPT-F	234- 2926	1/2" Barb- 1/2" NPT-F	255-225	In 1/2" Barb straight	Out 1/2" NPT Hex wing nut
234-3936	5/8" Barb- 1/2" NPT-F	234- 2936	5/8" Barb- 1/2" NPT-F	Adaptor to give 1/2" NPT Male thread		
234-3946	3/4" Barb- 1/2" NPT-F	234- 2946	3/4" Barb- 1/2" NPT-F	244-5286		3/8" NPTF - 1/2" NPTM

Williamson Manufacturing Co Ltd
Unit 2, Centenary Industrial Estate
Hughes Road
Brighton, East Sussex BN2 4AW UK
Email: sales@williamsonpumps.co.uk